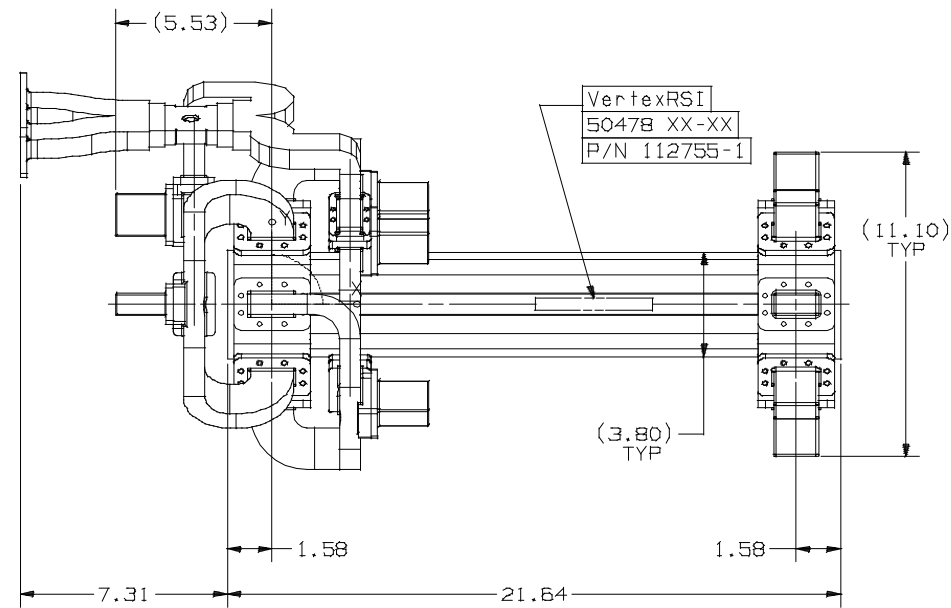
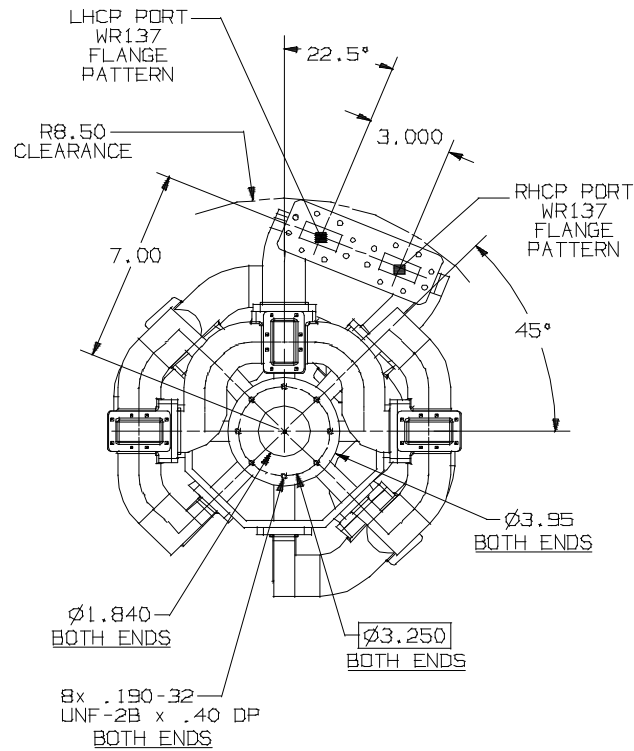


112755 | SH 1

REVISIONS			
REV	DESCRIPTION	DATE	APPROVED
-	INITIAL RELEASE	10-08-02	



- 1 CONFIGURATION

UNLESS OTHERWISE SPECIFIED	SIGNATURES	DATE
DIMENSIONS ARE IN INCHES	DRAWN: H. Lim	07-17-02
TOLERANCES:	CHECKED: H. Soteler	07-17-02
SURFACE: .XX ±.01	ENG: [ ]	
:XXX ±.002	WGR: [ ]	
:XXXX ±.0010		
✓ 32 ANGLES ±0°30'		
MATERIAL:		
NEXT ASSY:		
	CDATA DIRECTORY:	

**VertexRSI™**  
A TriPoint Global Company  
Torrance, CA Facility. TORRANCE@TRIPPOINTGLOBAL.COM  
3111 Fujita St., Torrance, CA 90505, (310)539-6704

X-BAND TE<sub>21</sub> TRACKING SYSTEM, WR137 NETWORK

SIZE	FSCM No.	DRAWING No.
C	50478	112755
SCALE: 1:1		SHEET 1 of X

NOTES: UNLESS OTHERWISE SPECIFIED.

112755 SH2

SPECIFICATIONS

FREQUENCY  
 TRACKING (DIFFERENCE) CHANNEL: 7.25 - 7.75 GHz  
 DOWNLINK (SUM) CHANNEL: 7.25 - 7.75 GHz

VSWR TRACKING OUTPUTS: 1.6:1  
 THROUGH LINE: 7.00 - 9.00 GHz: 1.05:1

INSERTION LOSS  
 THROUGH LINE: 7.00 - 9.00 GHz: 0.05 dB MAX

COUPLING  
 TE<sub>11</sub> MODE TO TRACK CHANNEL: 30 dB OR BETTER  
 TE<sub>21</sub> MODE TO TRACK CHANNEL: 10 dB NOMINAL

DIFFERENCE CHANNEL NULL DEPTH : 35 dB WITH RESPECT TO  
 SUM CHANNEL PEAK

POWER HANDLING : 2.0 kW CONTINUOUS PER  
 POLARIZATION

PRESSUARIZATION : SEALED TO 5.0 PSIG

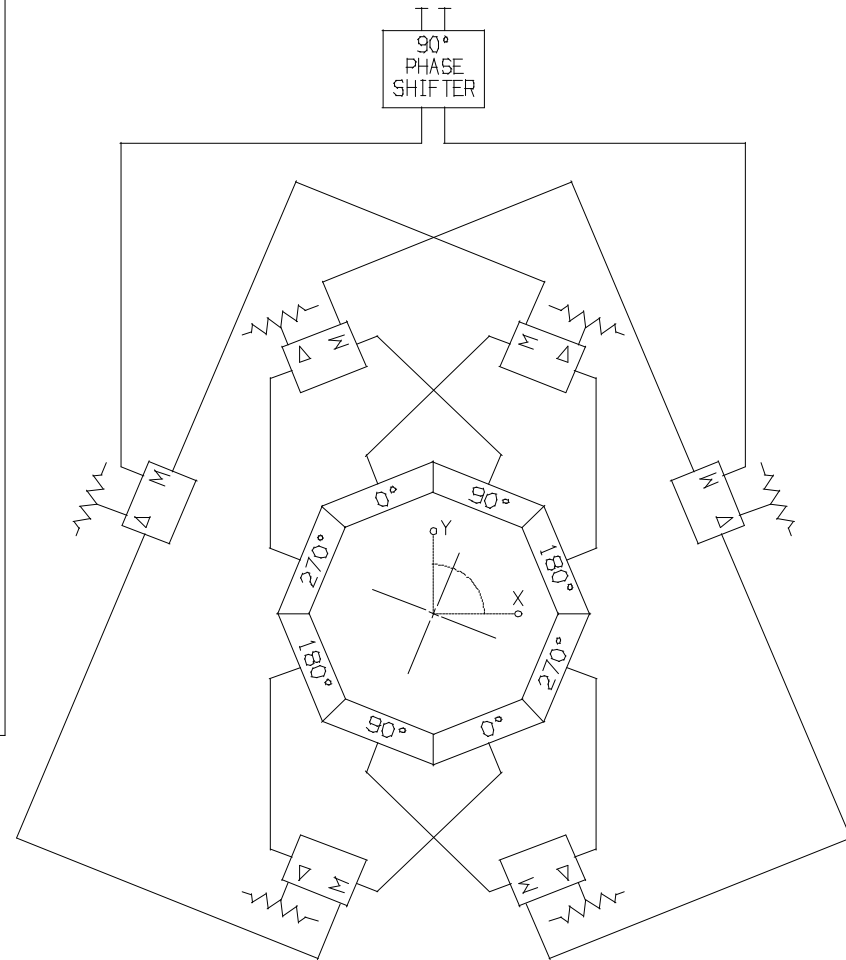
TEMPERATURE RANGE : -40°C TO 60°C

FINISH EXTERIOR: BLACK PAINT, COLOR  
 #37038 PER FED-STD-595

INTERIOR AND FLANGE FACES: CAD PLATED PER QQ-P-416,  
 TYPE II, CLASS 2.

NOTE: ABOVE SPECIFICATIONS ARE GUARANTEED WHEN  
 COUPLER IS TESTED WITH A LABORATORY LOAD  
 OR A FEED HORN WITH A RETURN LOSS OF  
 26 dB OR BETTER.

REVISIONS			
REV	DESCRIPTION	DATE	APPROVED
	SEE SHEET #1		



BLOCK DIAGRAM

SIZE	FSCM NO.	DRAWING NO.
C	50478	112755
SCALE: NONE	SHEET 2 of X	