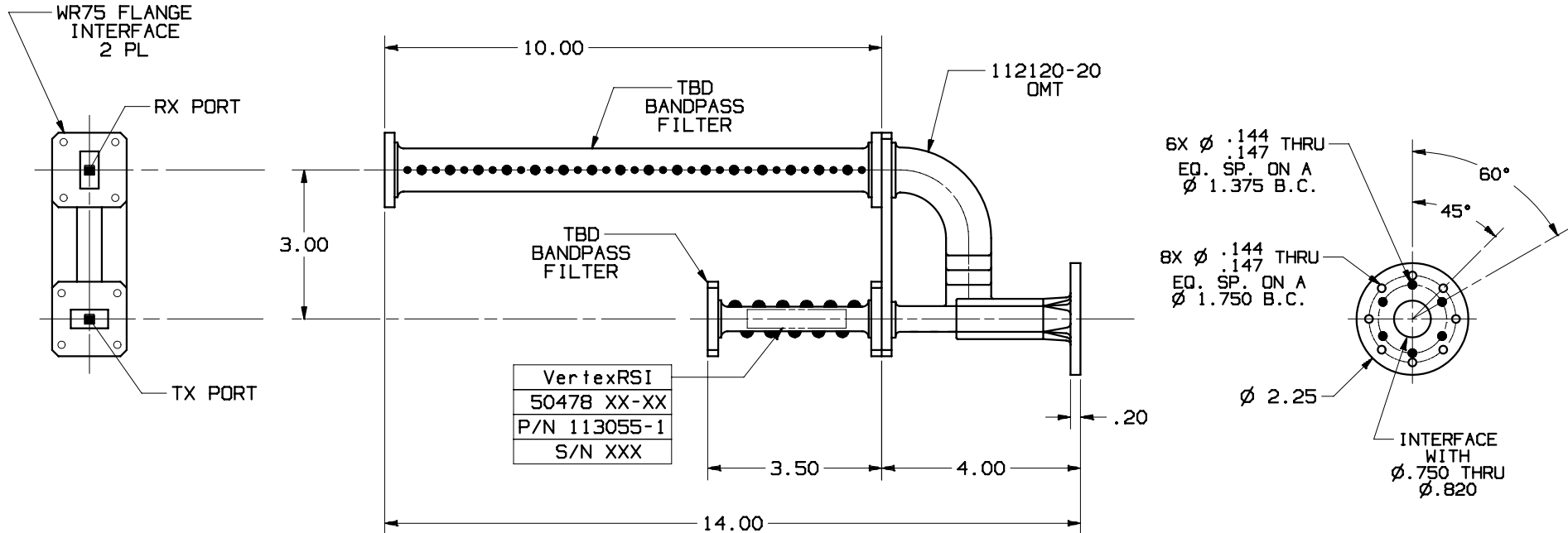


SPECIFICATIONS

REVISIONS

REV	DESCRIPTION	DATE	APPROVED
-	INITIAL RELEASE	09-09-03	

FREQUENCY BAND	RX: 10.95 - 12.75 GHz TX: 13.00 - 13.25 GHz	CROSSPOL	: 35 dB MIN
INSERTION LOSS	RX: 0.60 dB MAX TX: 0.25 dB MAX	POWER HANDLING	: 100 W CW
VSWR	RX: 1.25:1 MAX TX: 1.25:1 MAX	PRESSURIZATION	: SEALED TO 5.0 PSIG.
ISOLATION	TX/RX: 85 dB MIN RX/TX: 50 dB MIN	FINISH	COMMON PORT: CAD PLATED PER QQ-P 416, TYPE II, CL 2 RX AND TX PORT: CHROMATE CONVERSION COATED EXTERIOR: WHITE PAINT, COLOR No 17875 PER FED-STD-595



- 1 CONFIGURATION

UNLESS OTHERWISE SPECIFIED	SIGNATURES	DATE
DIMENSIONS ARE IN INCHES	DRAWN: L. TOVALIN	09-09-03
TOLERANCES-	CHECKED:	09-09-03
SURFACE .XX ±.03	ENGRG:	
.XXX ±.003	ENGRG:	
.XXXX ±.	MFG:	
✓ ANGLES± 1°00'		
MATERIAL		
FINISH		

VertexRSI™
A TriPoint Global Company
Antenna Products Division, Torrance, CA Facility
3111 Fujita Street, Torrance, CA 90505-4006

**Ku-BAND
2-PORT DIPLEXER**

SIZE	FSCM NO.	DRAWING NO.
C	50478	113055
SCALE: 2:1	SHEET 1 of 1	