

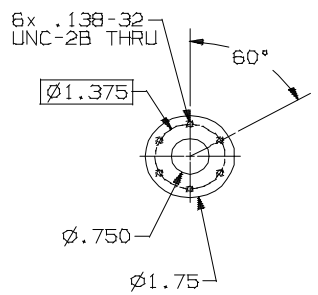
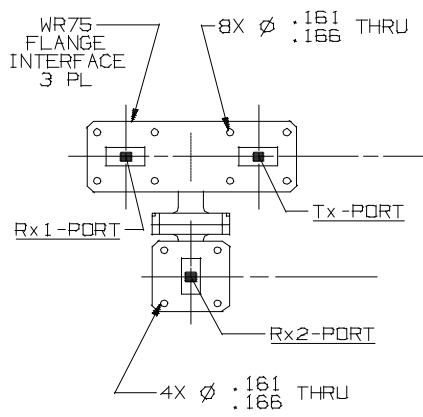
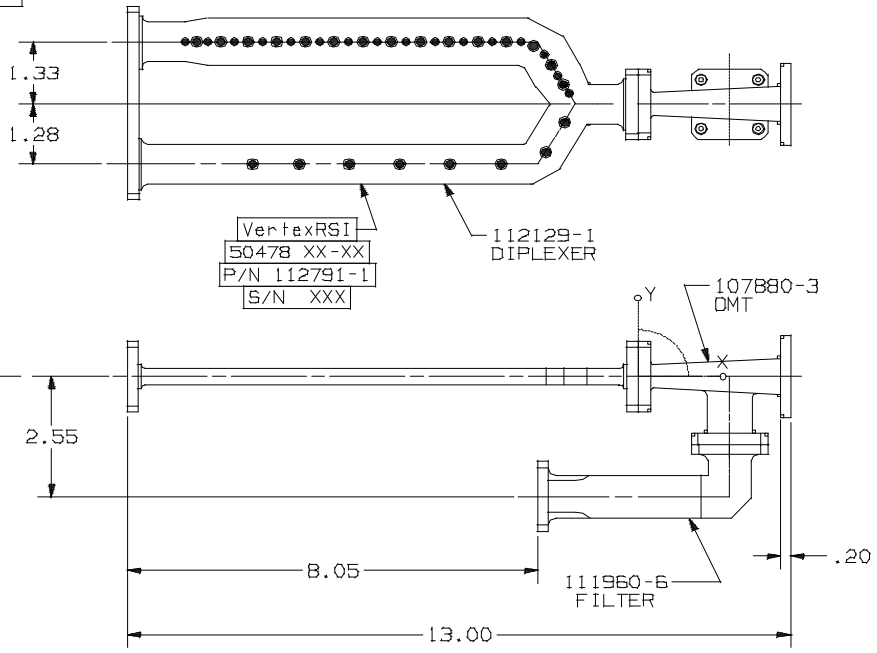
112791 | SH 1

SPECIFICATIONS

FREQUENCY BAND	Rx1: 10.75- 12.75 GHz Rx2: 10.95- 12.75 GHz Tx: 13.75- 14.50 GHz
INSERTION LOSS	Rx: 0.50 dB MAX Tx: 0.35 dB MAX
VSWR	Rx: 1.30:1 MAX Tx: 1.30:1 MAX
ISOLATION	Tx1-Rx1: 85 dB MIN Rx1-Tx1: 50 dB MIN Tx1-Rx2: 85 dB MIN

PRESSURIZATION: SEALED TO 1.0 PSIG.
FINISH
Rx1 & Tx PORTS: CHEMICAL CONVERSION COATED.
Rx2 PORT: CHEM-FILMED PER MIL-C5541, CLASS 1A
EXTERIOR: WHITE PAINT, COLOR #17875
GREEN PAINT, COLOR #34096
SANDSTONE PAINT, COLOR #33510
(ALL COLORS PER FED-STD-595)

REVISIONS			
REV	DESCRIPTION	DATE	APPROVED
A	SEE REVISION SHEET	01-02-03	



- 1 CONFIGURATION

UNLESS OTHERWISE SPECIFIED	SIGNATURES	DATE
DIMENSIONS ARE IN INCHES	DRAWN H. L1m	09-12-02
TOLERANCES-	CHECKED:	09-12-02
SURFACE .XX ±.01	DESIGNED:	
.XXX ±.002	ENGINEER:	
.XXXX	INSP:	
✓ ANGLES ±0°30'	WFO:	
MATERIAL		
FINISH		

VertexRSI™
A TriPoint Global Company
Torrance, CA Facility, TORRANCE@TRIPINTGLOBAL.COM
3111 Fujita St., Torrance, CA 90505, (310)539-6704

Ku-BAND 3-PORT DIPLEXER FOR OFFSET ANTENNAS		
SIZE	FSCM No.	DRAWING No.
C	50478	112791
SCALE:		SHEET 1 of 1