

112275 SH 1

SPECIFICATIONS

FREQUENCY BAND RX: 10.70 - 12.75 GHz
 TX: 13.00 - 14.50 GHz

INSERTION LOSS RX: 0.80 dB MAX
 TX: 0.60 dB MAX

VSWR RX: 1.25:1 MAX
 TX: 1.25:1 MAX

ISOLATION TX/RX: 85 dB MIN
 RX/TX: 70 dB MIN
 TX/TX: 40 dB MIN
 RX/RX: 40 dB MIN

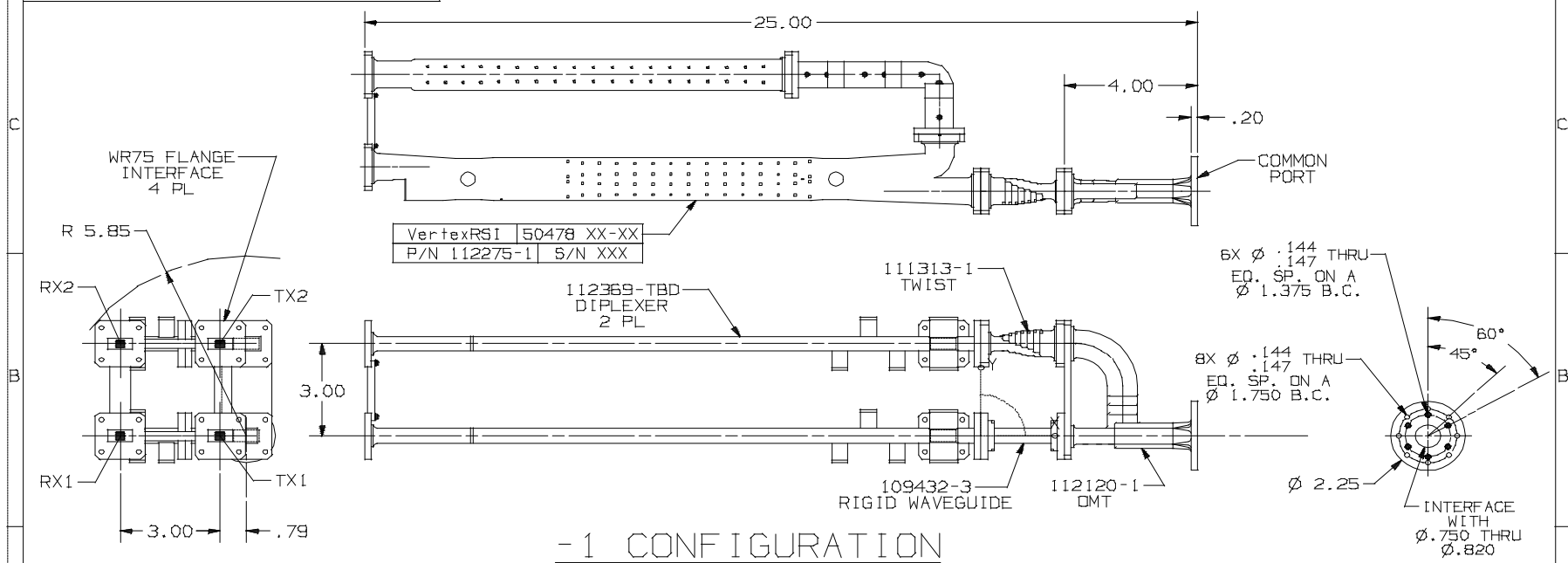
CROSSPOL : 40 dB MIN

POWER HANDLING: 1.0 KW CW (500 W PER TX PORT)

PRESSURIZATION: SEALED TO 5.0 PSIG.

FINISH
 COMMON PORT: CAD PLATED PER QQ-P-416, TYPE II, CL 2
 RX AND TX PORT: CHROMATE CONVERSION COATED
 EXTERIOR: WHITE PAINT, COLOR
 No. 17875 PER FED-STD-595

REVISIONS			
REV	DESCRIPTION	DATE	APPROVED
-	INITIAL RELEASE	08-22-00	



- 1 CONFIGURATION

UNLESS OTHERWISE SPECIFIED	SIGNATURES	DATE
DIMENSIONS ARE IN INCHES	DRAWN TOVALIN. L	08-22-00
TOLERANCES	CHECKED:	08-22-00
SURFACE .XX ±.01	ENGR:	
.XXX ±.002	ENGR:	
.XXXX	ENGR:	
32 ✓	MPG:	
ANGLES ±0°30'		
MATERIAL		
FINISH		

VertexRSI™
 A TriPoint Global Company
 Antenna Products Division, Torrance, CA Facility
 3111 Fujita Street, Torrance, CA 90505-4006

Ku-BAND
4-PORT DIPLEXER

SIZE	FSCM No.	DRAWING No.
C	50478	112275
SCALE:		SHEET 1 OF 1