

112125 SH 1

SPECIFICATIONS

FREQUENCY BAND RX: 10.95 - 12.75 GHz
 TX: 13.75 - 14.50 GHz

INSERTION LOSS RX: .35 dB MAX
 TX: .20 dB MAX

VSWR RX: 1.30:1 MAX
 TX: 1.30:1 MAX

ISOLATION TX/RX: 85 dB MIN
 RX/TX: 35 dB MIN

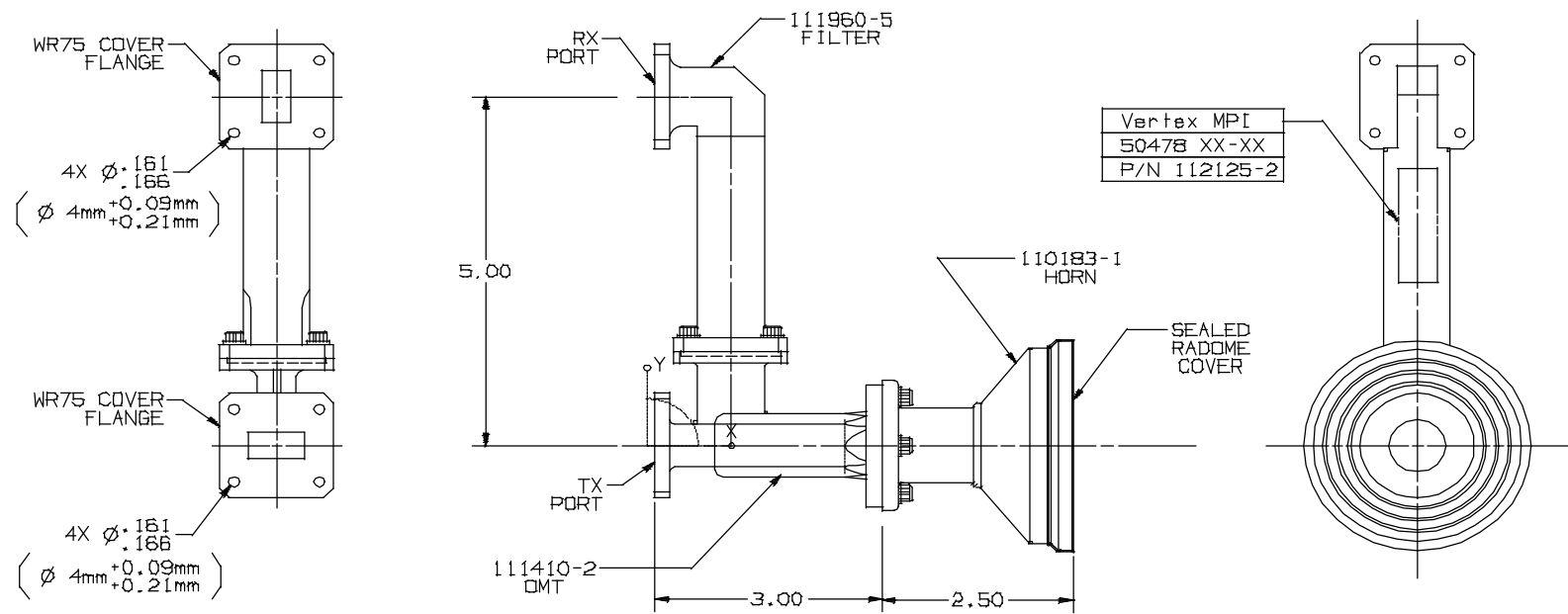
CROSSPOL : 30 dB MIN

PRESSURIZATION : SEALED TO 0.5 PSIG


FINISH INTERIOR AND FLANGE FACES: CHEM FILMED PER MIL-C-5541C, CLASS 1A

REVISIONS

REV	DESCRIPTION	DATE	APPROVED
A	SEE REVISION RECORD SHT	06-04-99	



-2 CONFIGURATION

UNLESS OTHERWISE SPECIFIED DIMENSIONS ARE IN INCHES TOLERANCES- SURFACE .XX ±.01 .XXX ±.002 B.3 ANGLES±	SIGNATURES	DATE	 VertexRSI™ A TriPoint Global Company Torrance, CA Facility, TORRANCE@TRIPINTGLOBAL.COM 3111 Fujita St., Torrance, CA 90505, (310)539-6704
	DRAWN L TOVALIN 04-26-99 CHECKED H. SPIELEIDER 04-26-99 ENGINEER DESIGNER PFG		
MATERIAL			Ku-BAND 2-PORT RX/TX FEED, X-POL
FINISH			
		SIZE C	FSCM NO. 50478 DRAWING NO. 112125 SCALE: 1:1 SHEET 1 of 1