

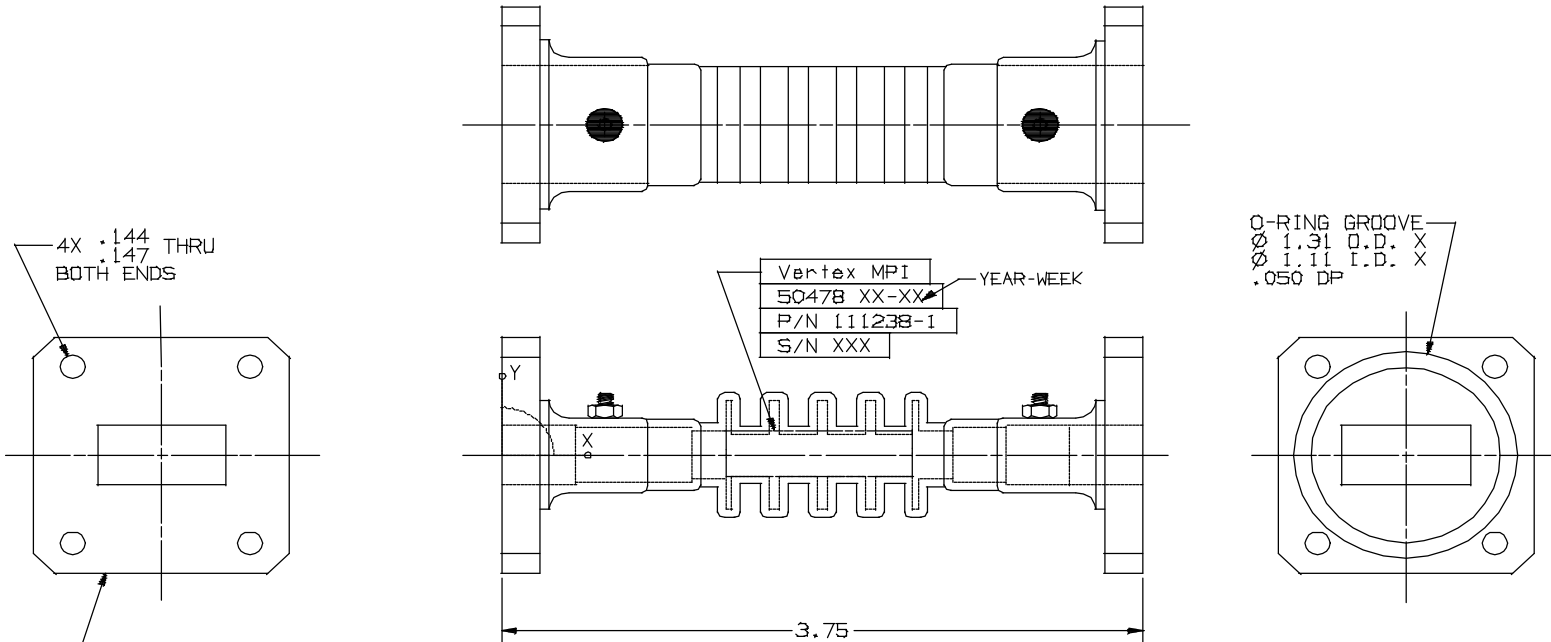
111238 | SH 1 |

SPECIFICATIONS

FREQUENCY BAND: 10.70 - 12.75 GHz
 INSERTION LOSS: 0.10 dB MAX
 VSWR : 1.15:1 MAX
 ISOLATION : 55 dB MIN FROM
 17.30 TO 18.40 GHz
 POWER HANDLING: 2.5 KW

PRESSURIZATION: SEALED TO 5.0 PSIG
 FINISH
 FLANGE FACES: CHROMATE CONVERSION COATED.
 EXTERIOR: WHITE PAINT, COLOR #17875 PER FED-STD-595.

REVISIONS			
REV	DESCRIPTION	DATE	APPROVED
D	SEE REVISION SHT	11-14-00	



4X .144 THRU
.147 BOTH ENDS

WR75 FLANGE
INTERFACE
BOTH ENDS

Vertex MPI
 YEAR-WEEK
 50478 XX-XX
 P/N 111238-1
 S/N XXX

O-RING GROOVE
 Ø 1.31 O.D. X
 Ø 1.11 I.D. X
 .050 DP

UNLESS OTHERWISE SPECIFIED	SIGNATURES	DATE
DIMENSIONS ARE IN INCHES	DRAWN TOVALIN, L.	11-15-95
TOLERANCES-	CHECKED SPIELEDER, H.	11-15-95
SURFACE .XX ±.01	ENGR	
.XXX ±.002	ENGR	
.XXX ±.0010	ENGR	
32 ✓ ANGLES±	WFS	
MATERIAL:		
NEXT ASSY:		

VertexRSI™
 A TriPoint Global Company
 Torrance, CA Facility, TORRANCE@TRIPPOINTGLOBAL.COM
 3111 Fujita St., Torrance, CA 90505, (310)539-6704

**Ku-BAND FILTER
TX REJECT**

SIZE FSCM NO. DRAWING NO.
 C 50478 111238

SCALE: 2:1 SHEET 1 of 4