

111185 SH 1

SPECIFICATIONS

FREQUENCY BAND RX: 10.70 - 12.75 GHz
TX: 17.30 - 18.40 GHz

INSERTION LOSS RX: 0.25 dB MAX
TX: 0.25 dB MAX

VSWR RX: 1.25:1 MAX
TX: 1.25:1 MAX

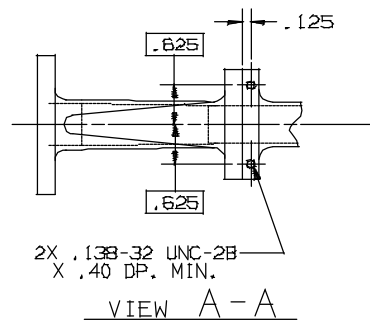
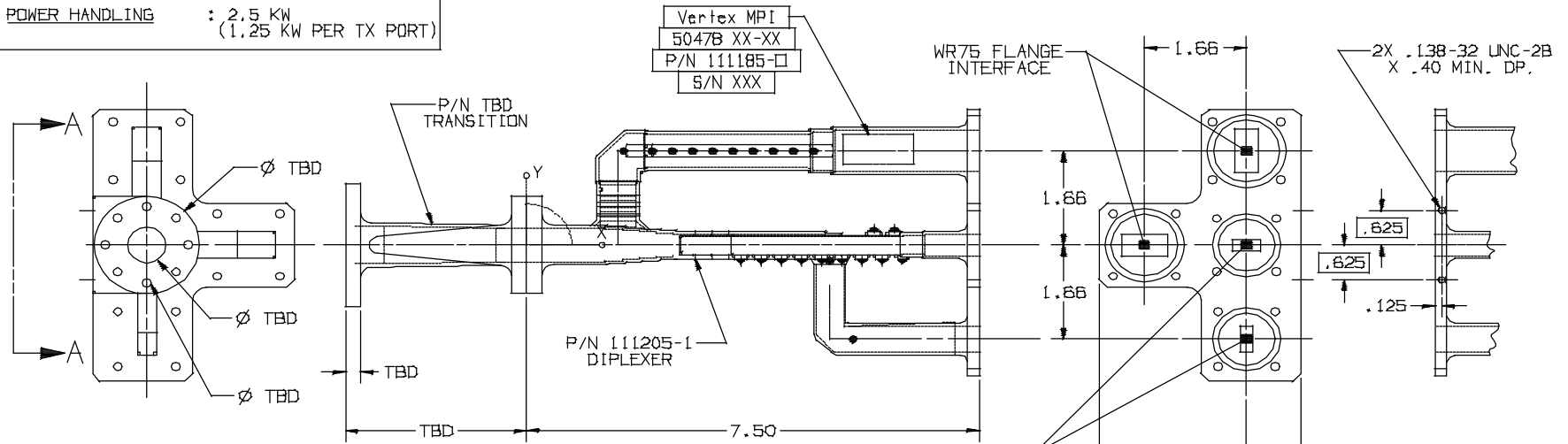
ISOLATION TX/RX: 85 dB MIN
RX/TX: 85 dB MIN
TX/TX: 35 dB MIN
RX/RX: 35 dB MIN

CROSS POL : 35 dB MIN

POWER HANDLING : 2.5 KW
(1.25 KW PER TX PORT)

FINISH
FLANGE FACES: CAD PLATED PER QQ-P-416, TYPE II, CLASS 2.
EXTERIOR: WHITE PAINT, COLOR #17875 PER FED-STD-595

REVISIONS			
REV	DESCRIPTION	DATE	APPROVED
C	SEE REVISION SHT	04-15-99	



UNLESS OTHERWISE SPECIFIED DIMENSIONS ARE IN INCHES TOLERANCES- SURFACE .XX ±.02 .XXX ±.002 32 .XXXX ±. ✓ ANGLES ± 0°30'	SIGNATURES	DATE
	DRAWN L. TOVALIN	09-12-98
	CHECKED H. SPIELDER	10-27-98
	DATE	
MATERIAL		
FINISH		
NEXT ASSY		

VertexRSI™
A TriPoint Global Company
Torrance, CA Facility, TORRANCE@TRIPINTGLOBAL.COM
3111 Fujita St., Torrance, CA 90505, (310)539-6704

**KU-BAND 4-PORT
LINEAR POLARIZED**

SIZE	FSCM NO.	DRAWING NO.
C	50478	111185
SCALE: 4/5		SHEET 1 of 1