

SPECIFICATIONS

FREQUENCY BAND RX: 10.95- 12.75GHz

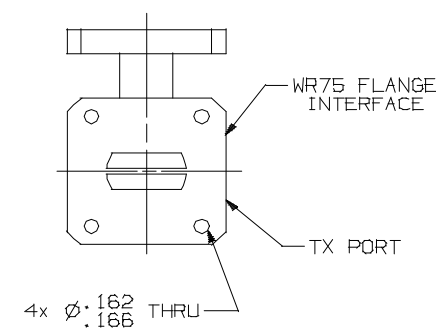
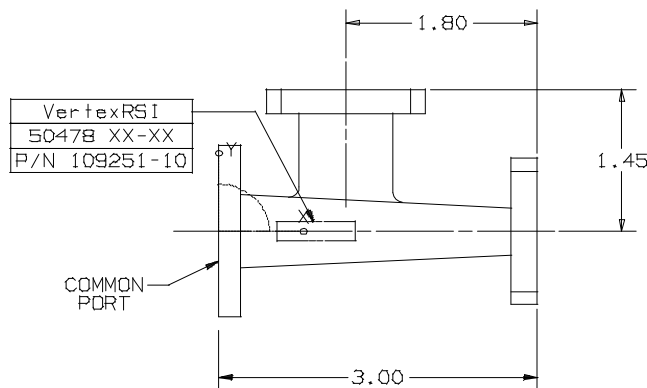
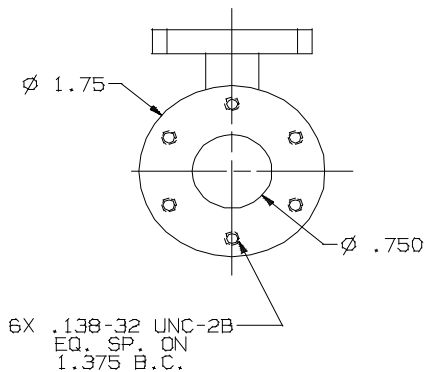
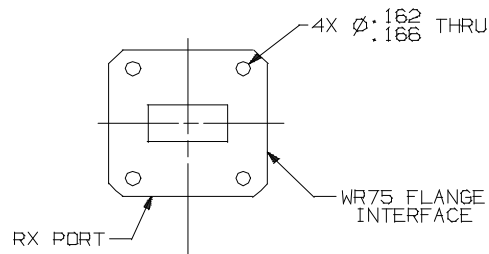
VSWR: 1.3:1 MAX

INSERTION LOSS RX: 0.15 dB MAX
TX: 0.15 dB MAX

TX/RX ISOLATION: 30 dB MIN

FINISH: CHEM FILMED PER MIL-C-5541,
CLASS 1A

REVISIONS			
REV	DESCRIPTION	DATE	APPROVED
-	INITIAL RELEASE	08-21-02	



-10 CONFIGURATION

UNLESS OTHERWISE SPECIFIED	SIGNATURES	DATE
DIMENSIONS ARE IN INCHES	DRAWN: L. TOVALIN	12-19-90
TOLERANCES-	CHECKED: H. SPIELEDER	12-19-90
SURFACE .XX \pm .01	ENGR:	
.XXX \pm .003	ENGR:	
.XXXX	ENGR:	
6.3 ✓ ANGLES \pm 0°30'	WFO:	
MATERIAL		
AL CASTING		
FINISH		

VertexRSI™
A TriPoint Global Company
Antenna Products Division, Torrance, CA Facility
3111 Fujita Street, Torrance, CA 90505-4006

Ku-BAND OMT, Rx/O
10.95-12.75 GHz

SIZE	FSCM No.	DRAWING No.
C	50478	109251
SCALE:		SHEET