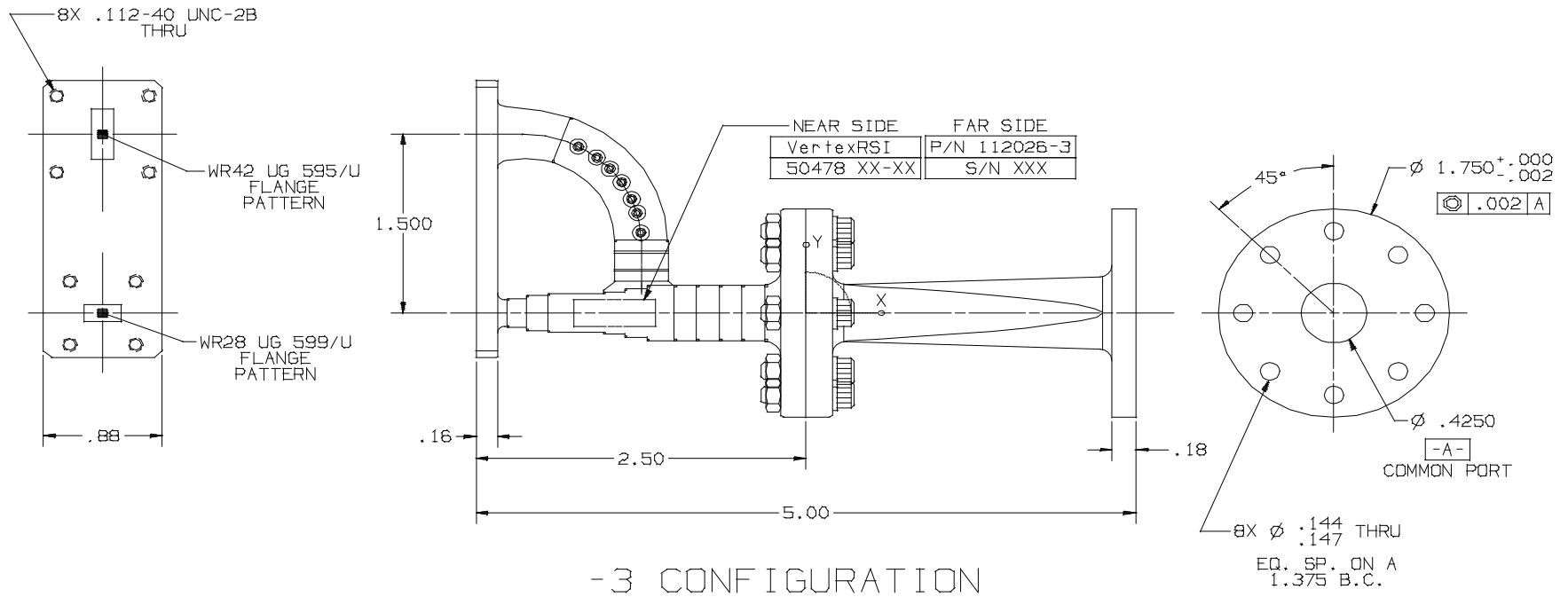


112026 SH 1

SPECIFICATIONS

| | | | |
|-----------------------|--------------------------------------------|------------------|----------------------------------------------------------------------------------|
| FREQUENCY BAND | RX: 17.7 - 21.2 GHz TX: 28.0 - 31.0 GHz | ISOLATION | TX/RX: 85 dB MIN RX/TX: 50 dB MIN |
| INSERTION LOSS | RX: 0.15 dB MAX TX: 0.15 dB MAX | CROSSPOL: | : 35 dB MIN |
| VSWR: | RX: 1.20:1 MAX TX: 1.20:1 MAX | FINISH | FLANGE FACES: BRASS EXTERIOR: WHITE PAINT, COLOR No. 17B75 PER FED-STD-595 |

| REVISIONS | | | |
|-----------|-----------------|----------|----------|
| REV | DESCRIPTION | DATE | APPROVED |
| - | INITIAL RELEASE | 09-24-02 | |



-3 CONFIGURATION

| | | | |
|------------------------------------------------------------------------------------------------------------------------------------|-------------------|--|----------|
| UNLESS OTHERWISE SPECIFIED DIMENSIONS ARE IN INCHES TOLERANCES- SURFACE .XX ±.01 .XXX ±.002 .32 ✓ ANGLES ± 0°30' | SIGNATURES | | DATE |
| | DRAWN: L. TOVALIN | | 09-24-02 |
| | CHECKED: | | 09-24-02 |
| | ENGR: | | |
| MATERIAL | | | |
| FINISH | | | |

VertexRSI™
A TriPoint Global Company
Antenna Products Division, Torrance, CA Facility
3111 Fujita Street, Torrance, CA 90505-4006

Ka-BAND 2-PORT
17.7-21.2 & 28.0-31.0 GHz

| | | |
|------------|----------|--------------|
| SIZE | FSCM No. | DRAWING No. |
| C | 50478 | 112026 |
| SCALE: 2/1 | | SHEET 1 OF 1 |