

SPECIFICATIONS

REVISIONS			
REV	DESCRIPTION	DATE	APPROVED
A	SEE REVISION RECORD	04-16-99	

FREQUENCY RANGE
 RX: 18.10- 20.70 GHz
 TX: 28.00- 30.50 GHz

INSERTION LOSS:
 RX: 0.60 dB MAX
 TX: 0.40 dB MAX

VSWR:
 RX: 1.20:1 MAX
 TX: 1.20:1 MAX

ISOLATION:
 TX/RX: 85 dB MIN
 RX/TX: 85 dB MIN
 TX/TX: 20 dB MIN
 RX/RX: 20 dB MIN

AXIAL RATIO : 0.5 dB MAX

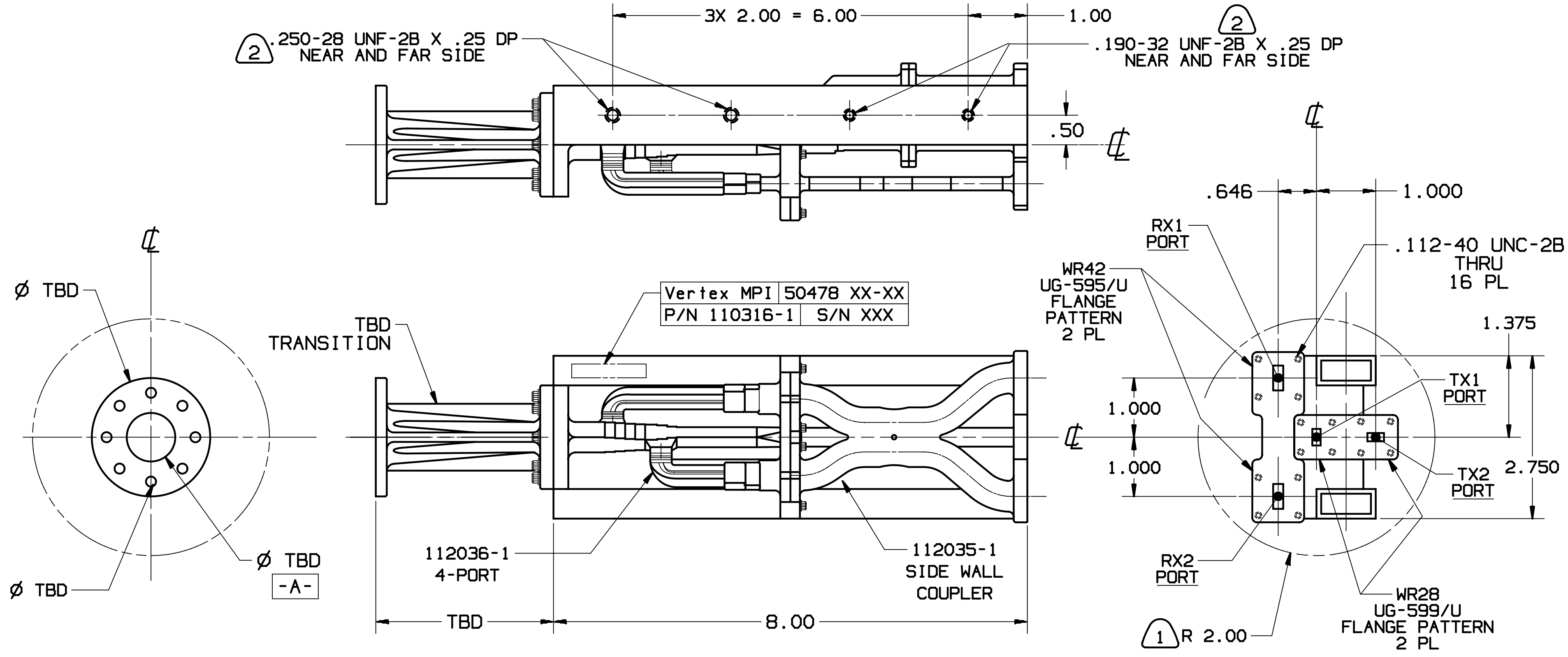
POWER HANDLING: 0.40 KW CW

PRESSURIZATION : SEALED TO 5 PSIG

FINISH
 FLANGE FACES: CROMATE CONVERSION COATED
 EXTERIOR: BLACK PAINT, COLOR NO 37038
 PER FED-STD-595.

① CLEARANCE RADII ARE CENTERED ON COMMON PORT AXIS.

② INSTALLATION ATTACHMENT HOLES



UNLESS OTHERWISE SPECIFIED	SIGNATURES	DATE
DIMENSIONS ARE IN INCHES	DRAWN: L. TOVALIN	02-07-99
TOLERANCES-	CHECKED: H. SPIELEDER	02-07-99
SURFACE .XX ± .02	ENGRG:	
.XXX ± .002	MFG:	
32 ✓ .XXXX ± .		
ANGLES ± 0° 30'		
MATERIAL		
FINISH		

VertexRSI™
 A TriPoint Global Company
 Torrance, CA Facility, torrance@tripointglobal.com
 3111 Fujita St., Torrance, CA 90505, (310)539-6704

**KA-BAND FOUR PORT DIPLEXER
 CIRCULAR POLARIZED**

SIZE	FSCM NO.	DRAWING NO.
C	50478	110316
SCALE: NONE		SHEET 1 OF 1