

112810 SH 1

ELECTRICAL SPECIFICATIONS

FREQUENCY BAND Rx: 3.625-4.200 GHz
 Tx: 5.850-6.425 GHz

INSERTION LOSS Rx: 0.15 dB MAX
 Tx: 0.15 dB MAX

VSWR Rx: 1.20:1 MAX
 Tx: 1.15:1 MAX

ISOLATION Tx/Rx: 85 dB MIN
 Rx/Tx: 85 dB MIN
 Tx/Tx: 23 dB MIN
 Rx/Rx: 20 dB MIN

CROSS POL : 35 dB MIN

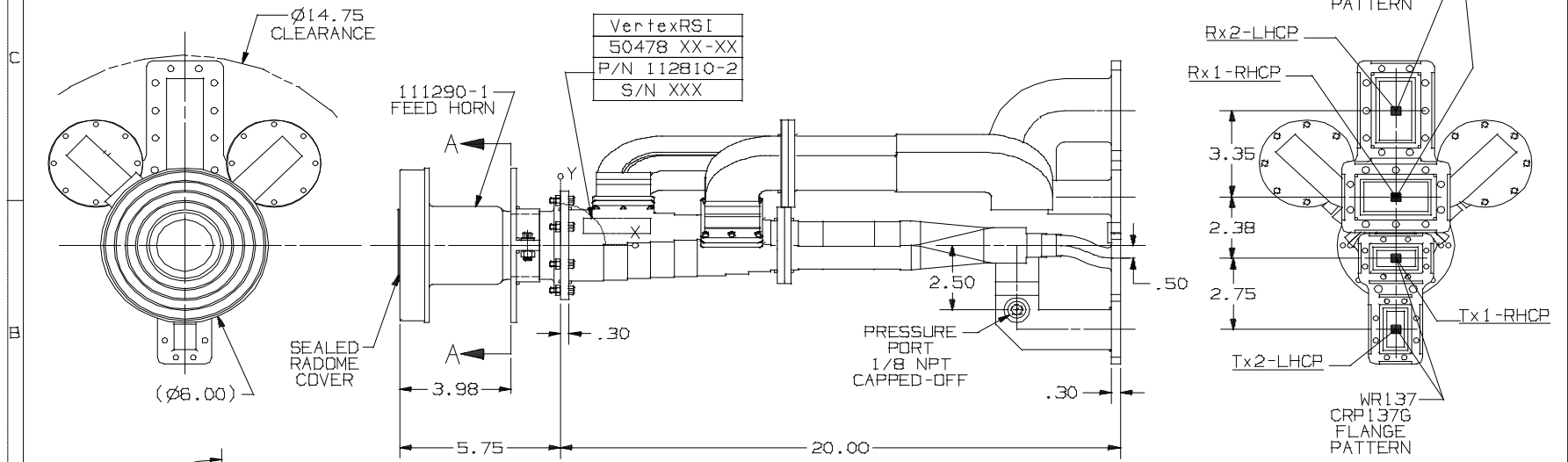
AXIAL RATIO : 1.03 (0.25 dB)

POWER HANDLING: 5.0 kW CW

PRESSURIZATION: SEALED TO 2.0 PSIG

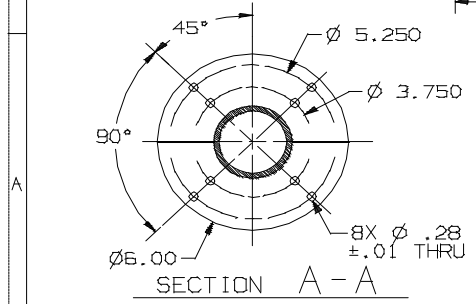
FINISH
 FLANGE FACES: CAD PLATED PER QQ-P-416,
 TYPE II, CLASS 2
 EXTERIOR: WHITE PAINT COLOR No. 17875
 PER FED-STD-595

REVISIONS			
REV	DESCRIPTION	DATE	APPROVED
-	INITIAL RELEASE	10-08-02	



VertexRSI
 50478 XX-XX
 P/N 112810-2
 S/N XXX

-2 CONFIGURATION



UNLESS OTHERWISE SPECIFIED	SIGNATURES	DATE
DIMENSIONS ARE IN INCHES	DRAWN TOVALIN. L	10-08-02
TOLERANCES	CHECKED:	10-08-02
SURFACE .XX ±.02	ENGRS:	
.XXX ±.005	ENGR:	
.XXXX ±.0025	ENGR:	
32 ✓ ANGLES ±0°30'	WFC:	
MATERIAL:		
NEXT ASSY:		

VertexRSI™
 A TriPoint Global Company
 Torrance, CA Facility. TORRANCE@TRIPPOINTGLOBAL.COM
 3111 Fujita St., Torrance, CA 90505, (310)539-6704

C-BAND 4-PORT FEED CP-1.03AR

SIZE	FSCM No.	DRAWING No.
C	50478	112810
SCALE: 3/8		SHEET 1 of 1