

# SPECIFICATIONS

**FREQUENCY BAND** RX: 3.625-4.200 GHz  
TX: 5.850-6.425 GHz

**INSERTION LOSS** RX: 0.30 dB MAX  
TX: 0.20 dB MAX

**VSWR** RX: 1.30:1 dB MAX  
TX: 1.30:1 dB MAX

**ISOLATION** TX/RX: 85 dB MIN  
RX/TX: 40 dB MIN

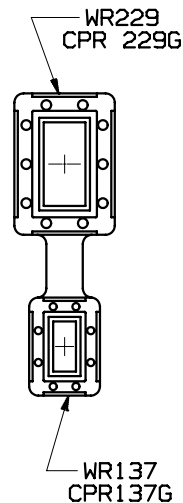
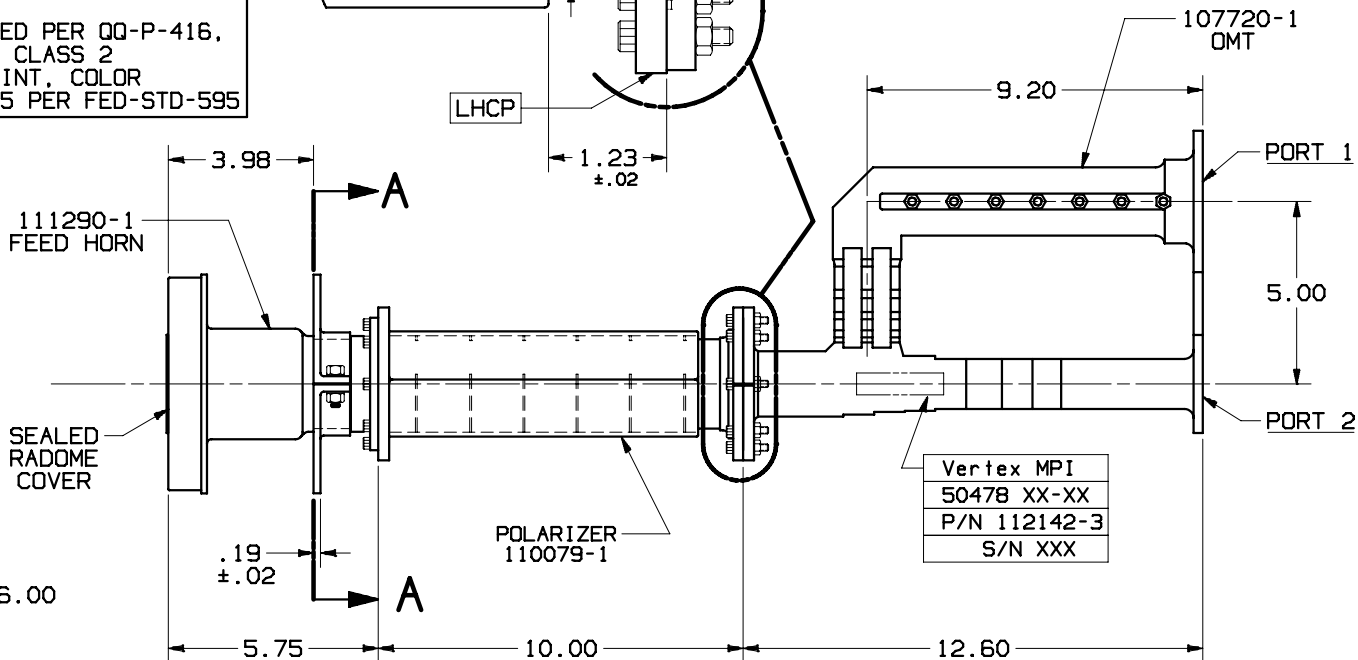
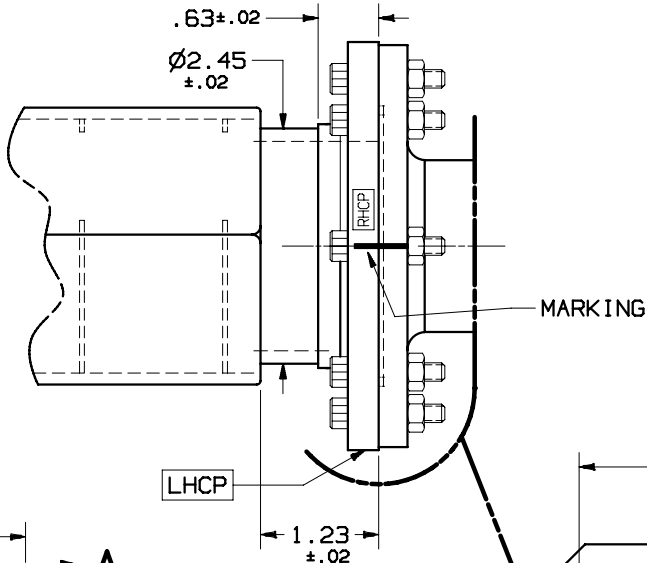
**AXIAL RATIO** : 1.30 (2.3dB)

**POWER HANDLING** : 5 KW CW

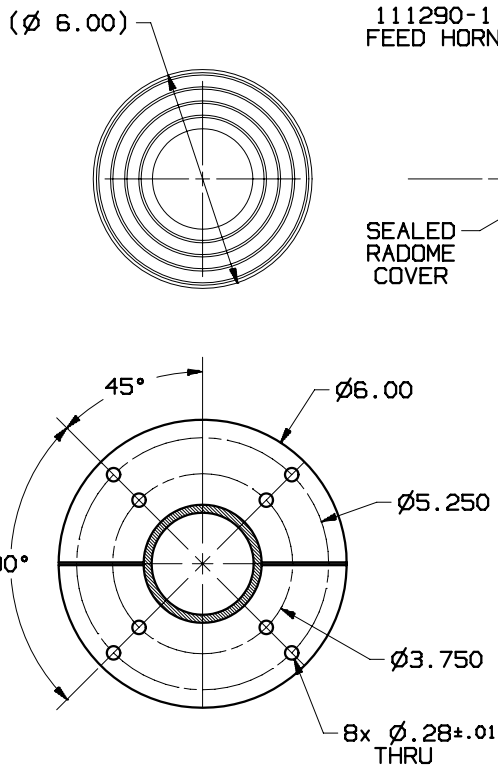
**PRESSURIZATION** : SEALED TO 0.5 PSIG

**FINISH:** INTERIOR  
AND FLANGE FACES: CAD PLATED PER QQ-P-416,  
TYPE II, CLASS 2  
EXTERIOR: WHITE PAINT, COLOR  
No. 17875 PER FED-STD-595

REVISIONS			
REV	DESCRIPTION	DATE	APPROVED
A	SEE REVISION SHT	05-06-02	



Vertex MPI  
50478 XX-XX  
P/N 112142-3  
S/N XXX



**SECTION A-A**

## -3 CONFIGURATION

UNLESS OTHERWISE SPECIFIED	SIGNATURES	DATE
DIMENSIONS ARE IN INCHES	DRAWN: TOVALIN, L	09-02-00
TOLERANCES-	CHECKED:	
SURFACE .XX ±.01	ENGRG:	
.XXX ±.004	ENGRG:	
.XXXX ±.	ENGRG:	
✓ ANGLES±	MFG:	
MATERIAL		
FINISH		

**VertexRSI™**  
A TriPoint Global Company  
Torrance, CA Facility, TORRANCE@TRIPPOINTGLOBAL.COM  
3111 Fujita St., Torrance, CA 90505, (310)539-6704

<b>C-BAND 2-PORT, Rx/Tx CO-POL FEED CP-1.3AX</b>		
SIZE	FSCM NO.	DRAWING NO.
C	50478	112142
SCALE: NONE	SHEET 1 of 1	