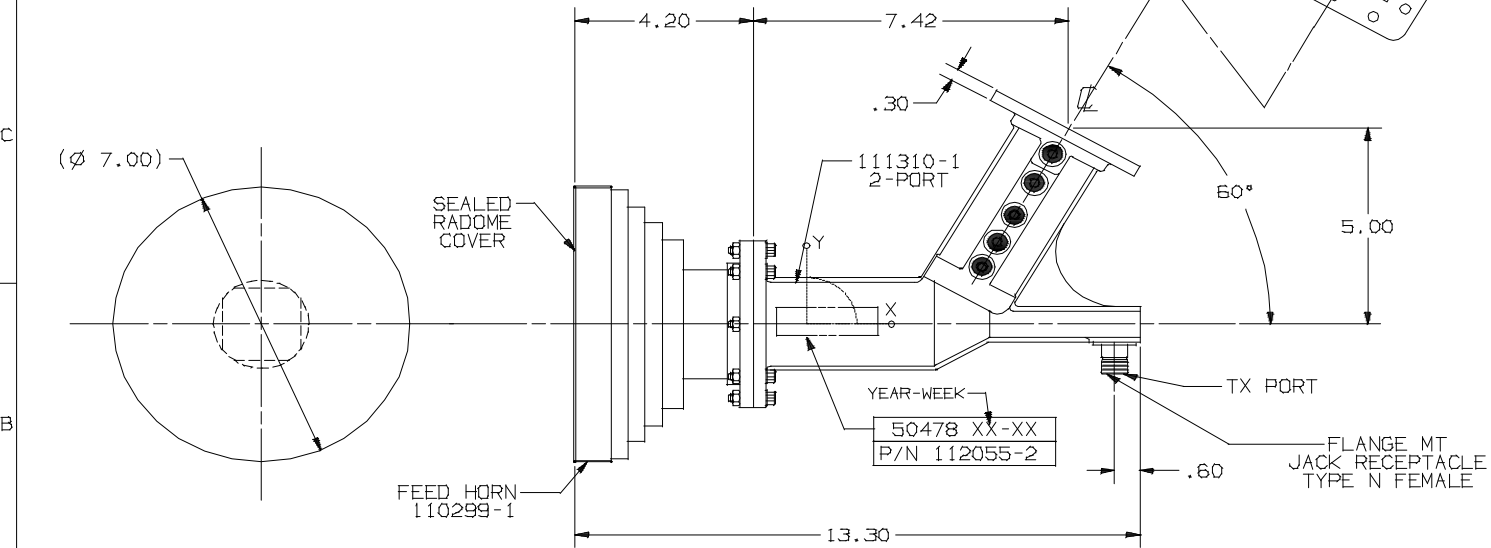
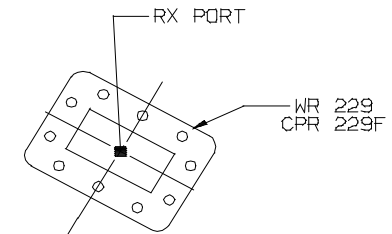


B 7 6 5 | 112055 SH 1 | 3 2 1

**SPECIFICATIONS**

<b>FREQUENCY BAND</b>	RX: 3.400 - 3.700 GHz TX: 6.425 - 6.725 GHz	<b>POWER HANDLING</b>	: 5 KW CW
<b>INSERTION LOSS</b>	RX: 0.20 dB MAX TX: 0.20 dB MAX	<b>PRESSURIZATION</b>	: SEALED TO 0.5 PSIG WITH TYPE N CONNECTOR CAPPED OFF
<b>VSWR</b>	RX: 1.30:1 MAX TX: 1.30:1 MAX	<b>FINISH INTERIOR AND FLANGE FACES:</b>	CHEM FILMED PER MIL-C-5541C, CLASS 1A
<b>ISOLATION</b>	TX/RX: 70 dB MIN RX/TX: 35 dB MIN	<b>EXTERIOR:</b>	WHITE PAINT PER FED-STD-595 COLOR NO. 17875

REVISIONS			
REV	DESCRIPTION	DATE	APPROVED
A	SEE REVISION SHEET	10-12-00	



**-2 CONFIGURATION**

UNLESS OTHERWISE SPECIFIED	SIGNATURES	DATE
DIMENSIONS ARE IN INCHES	DRAWN: L. TOVALIN	09-20-00
TOLERANCES	CHECKED: H. SPIELEDER	09-20-00
SURFACE .XX ±.03	ENGRS:	
.XXX ±.004	ENGRS:	
.XXXX ±.0020	ENGRS:	
63 ✓	MFG:	
MATERIAL		
CAST ALUMINUM		
FINISH		

**Vertex RSI™**  
A TriPoint Global Company  
Antenna Products Division, Torrance, CA Facility  
3111 Fujita Street, Torrance, CA 90505-4006

<b>C-BAND RX/TX FEED</b>	
SIZE: C	FSCM No. 50478
SCALE:	DRAWING No. 112055
	SHEET 1 OF 1

B 7 6 5 4 3 2 1