

111900 | SH 1 |

SPECIFICATIONS

**FREQUENCY BAND** RX: 3.400 - 4.200 GHz  
TX: 5.850 - 6.725 GHz

**INSERTION LOSS** RX: 0.20 dB MAX  
TX: 0.20 dB MAX

**VSWR** RX: 1.25:1 MAX  
TX: 1.25:1 MAX

**ISOLATION** TX/RX: 85 dB MIN  
RX/TX: 85 dB MIN  
RX/RX: 40 dB MIN  
TX/TX: 40 dB MIN

**CROSSPOL** : 35 dB MIN

**POWER HANDLING** : 5 KW CW EACH PORT

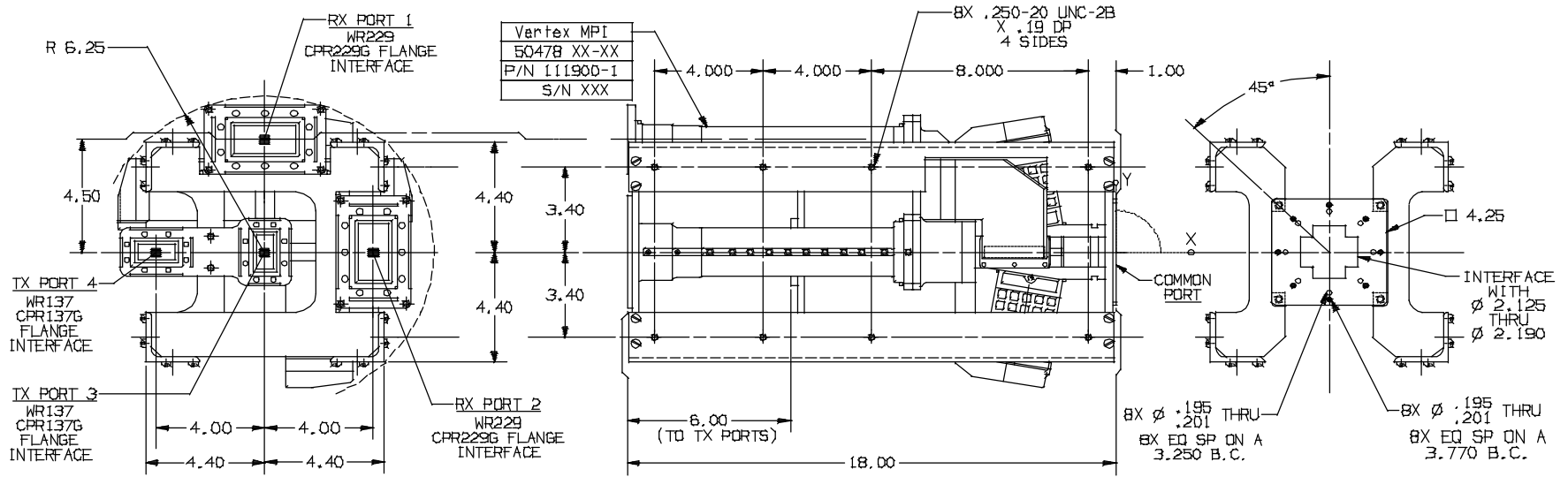
**APPROX WEIGHT** : 30 LBS

**PRESSURIZATION** : SEALED TO 2 PSIG

**FINISH** INTERIOR: CHROMATE CONVERSION COATED  
FLANGE FACES: CAD PLATED PER QQ-P-416,  
TYPE II, CLASS 2  
EXTERIOR: WHITE PAINT, COLOR NO 17875  
PER FED-STD-595

REVISIONS

REV	DESCRIPTION	DATE	APPROVED
E	SEE REVISION SHEET	06-10-99	



-1 CONFIGURATION

UNLESS OTHERWISE SPECIFIED	SIGNATURES	DATE
DIMENSIONS ARE IN INCHES TOLERANCES - SURFACE :XX ±.02 :XXX ±.004 :XXXX ±.0020 63 ANGLE±	DRW: L. TOVALIN CHKD: H. SPIELEDER	12-30-97 11-13-98
MATERIAL		
FINISH		
<p>VertexRSI™ A TriPoint Global Company Torrance, CA Facility, TORRANCE@TRIPPOINTGLOBAL.COM 3111 Fujita St., Torrance, CA 90505, (310)539-6704</p>		
C-BAND 4-PORT RX/TX DIPLEXER LINEAR, 800 MHz		
SIZE C 50478	FSCM NO. DRAWING NO.	111900
SCALE: 1/2	SHEET 1 OF 2	

SUPPORT BRACKETS NOT SHOWN FOR CLARITY