

5

4

111890 SH 1

2

1

SPECIFICATIONS

FREQUENCY BAND RX: 3.400-4.200 GHz
TX: 5.700-6.725 GHz

INSERTION LOSS RX: 0.20 dB MAX
TX: 0.20 dB MAX

VSWR RX: 1.30:1 dB MAX
TX: 1.30:1 dB MAX

ISOLATION TX/RX: 85 dB MIN
RX/TX: 40 dB MIN

CROSSPOL : 30 dB MIN

POWER HANDLING : 5 KW CW

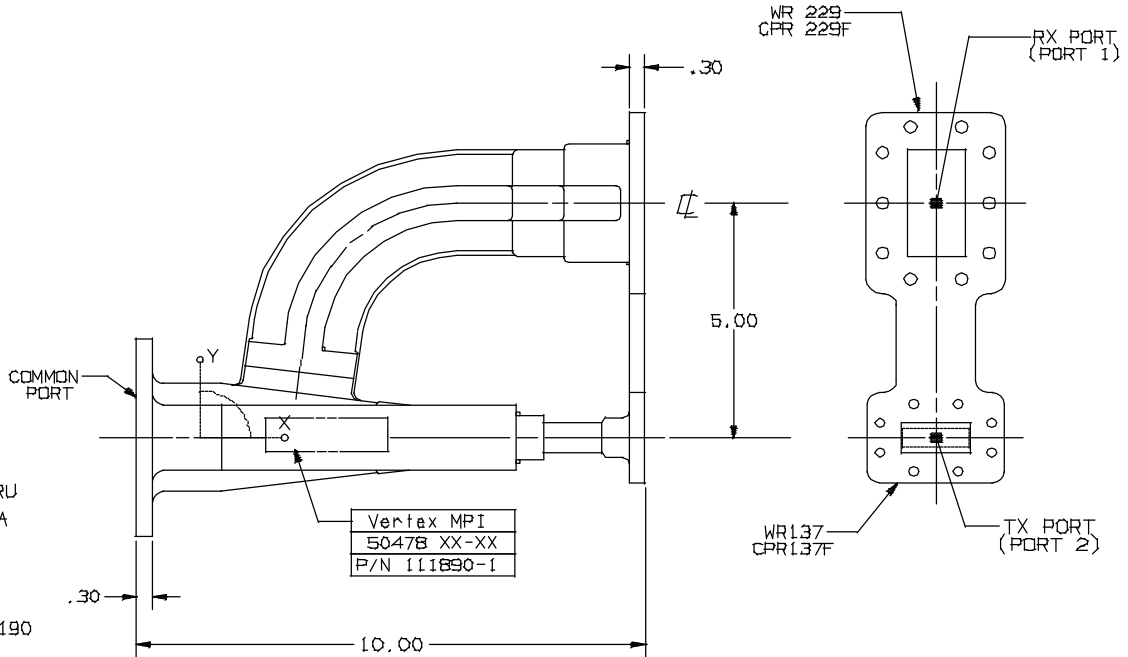
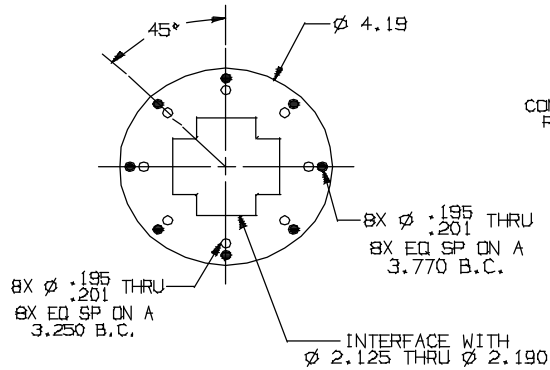
TESTED INTO LABORATORY LOAD
WITH A VSWR OF 1.05 OR BETTER

PRESSURIZATION : SEALED TO 2 PSIG

FINISH: INTERIOR
AND FLANGE FACES: CHEM FILMED PER MIL-C-5541C,
CLASS 1A

EXTERIOR: WHITE PAINT, COLOR
NO. 17875 PER FED-STD-585

REVISIONS			
REV	DESCRIPTION	DATE	APPROVED
E	SEE REVISION SH1	02-25-03	



- 1 CONFIGURATION

UNLESS OTHERWISE SPECIFIED DIMENSIONS ARE IN INCHES TOLERANCES-	SIGNATURES	DATE
SURFACE :XX ±.03 :XXX ±.004 :XXXX ±.0020	DRAWN: L. TOVALIN CHECKED: H. SPIELEDER	12-30-97 01-12-99
63 ✓ ANBLES#	DATE	
MATERIAL: CAST ALUMINUM	SCALE:	
FINISH	SIZE: FSCM NO. DRAWING NO.	
	C 150478	111890
	SCALE: 1/2	SHEET 1 OF 1

VertexRSI™
A TriPoint Global Company
Torrance, CA Facility, TORRANCE@TRIPPOINTGLOBAL.COM
3111 Fujita St., Torrance, CA 90505. (310)531-6704

**C-BAND 2-PORT RX/TX
X-POL, 800 MHz**

SIZE: FSCM NO. DRAWING NO.
C 150478 111890

SCALE: 1/2 SHEET 1 OF 1