

111506 | SH 1 |

SPECIFICATIONS

FREQUENCY BAND RX: 3.625-4.200 GHZ,
TX: 5.850-6.425 GHZ.

INSERTION LOSS RX: .15 dB MAX.
TX: .15 dB MAX.

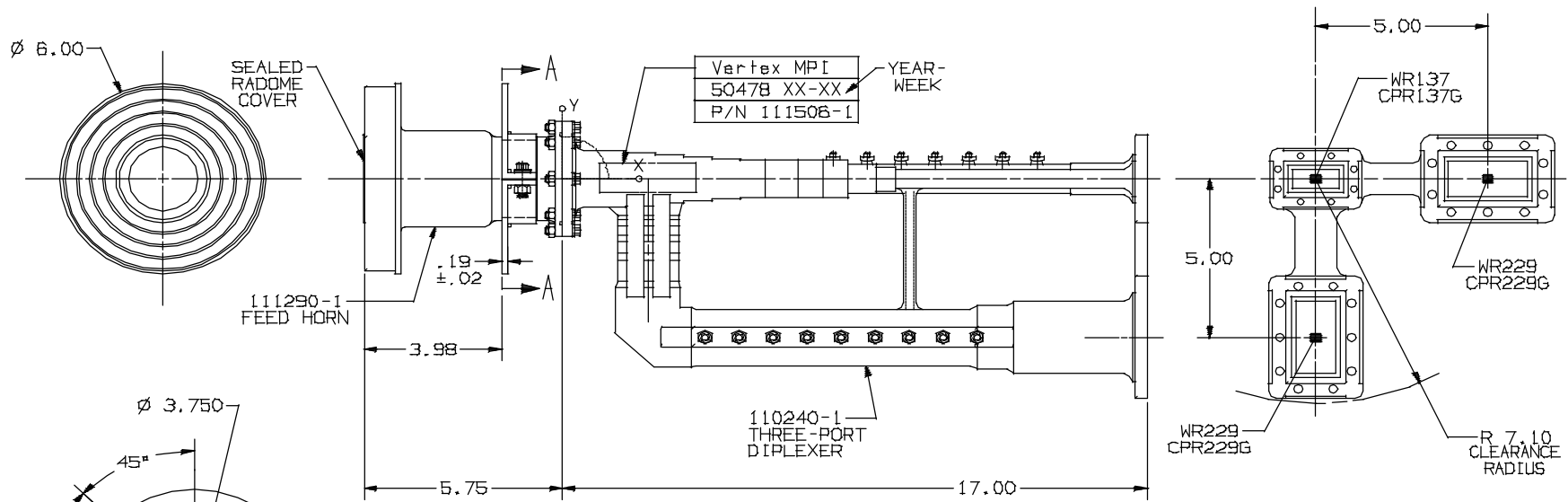
VSWR TX: 1.30:1 MAX
RX: 1.30:1 MAX

ISOLATION TX/RX: 70 dB MIN.
RX/TX: 70 dB MIN.
RX/RX: 35 dB MIN.

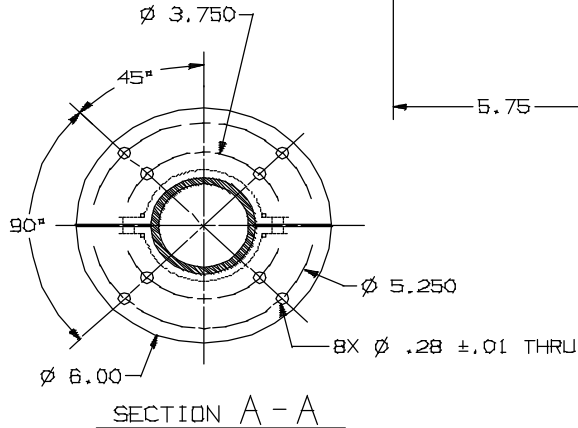
CROSS POL : 35 dB MIN.
POWER HANDLING : 5 KW CW
PRESSURIZATION : PRESSURE TESTED TO 0.5 PSIG
FINISH:
FLANGE FACES: CAD PLATED PER QQ-P-416, TYPE II, CLASS 2.
EXTERIOR: WHITE PAINT, COLOR NO. 17875 PER FED-STD-585

REVISIONS

REV	DESCRIPTION	DATE	APPROVED
A	SEE REVISION RECORD SHT	04-05-99	



-1 CONFIGURATION



UNLESS OTHERWISE SPECIFIED	SIGNATURES	DATE
DIMENSIONS ARE IN INCHES	DRAWN: L. TOVALIN	06-17-98
TOLERANCES-	CHECKED: H. SPIELEDER	06-17-98
SURFACE .XX ±.02	ENGR:	
.XXX ±.005	APP:	
.XXX ±.		
✓ ANGLES ± 0°15'		
MATERIAL		
FINISH		

VertexRSI™
A TriPoint Global Company
Torrance, CA Facility. TORRANCE@TRIPPOINTGLOBAL.COM
3111 Fujita St., Torrance, CA 90505, (310)539-6704

C-BAND, 3-PORT FEED

SIZE	FSCM NO.	DRAWING NO.
C	50478	111506
SCALE: NONE		SHEET 1 OF 1