

110074 | SH 1 |

SPECIFICATIONS

**FREQUENCY BAND** RX: 4.500-4.800 GHz  
TX: 6.725-7.025 GHz

**INSERTION LOSS** RX: 0.15 dB MAX  
TX: 0.20 dB MAX

**VSWR** RX: 1.20:1 dB MAX  
TX: 1.20:1 dB MAX

**ISOLATION** TX/RX: 70 dB MIN  
RX/TX: 40 dB MIN

**CROSSPOL** : 35 dB MIN

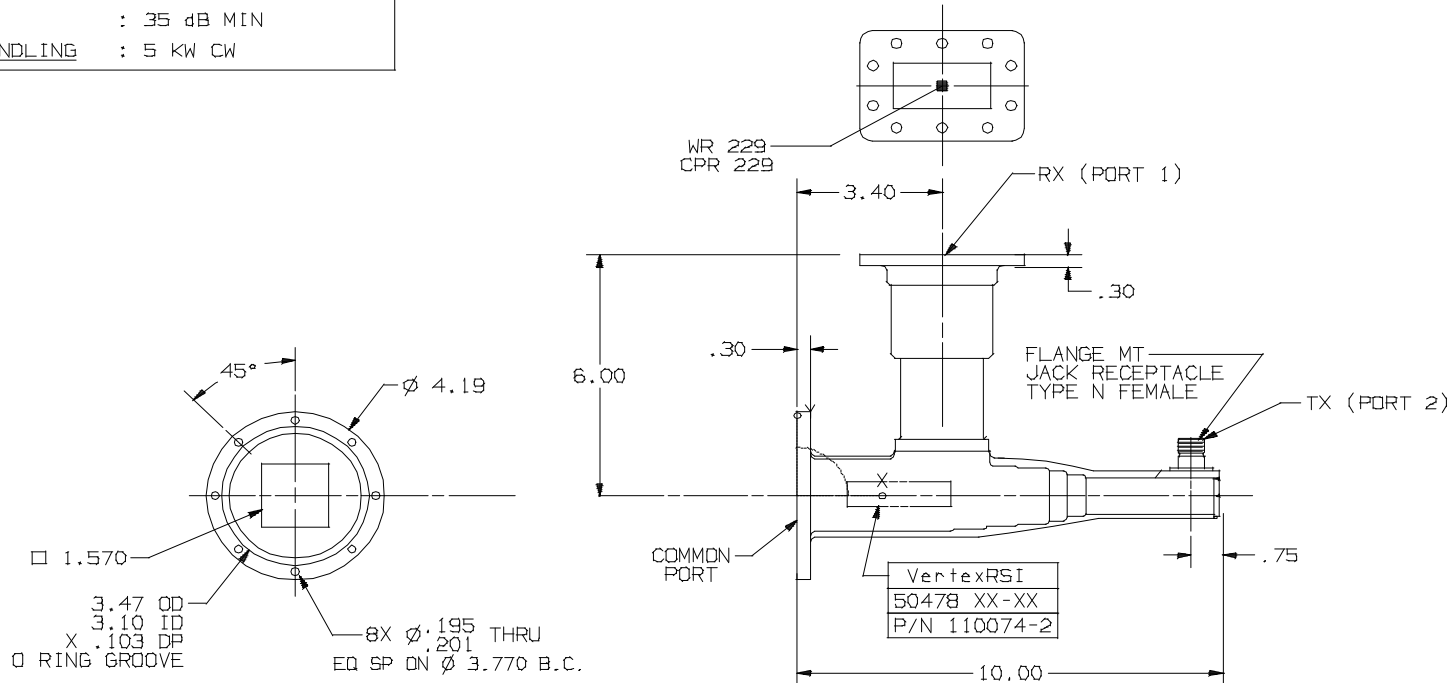
**POWER HANDLING** : 5 KW CW

**PRESSURIZATION** : SEALED TO 2 PSIG WITH TYPE N CONNECTOR CAPPED-OFF

**FINISH:** INTERIOR AND FLANGE FACES: CHEM FILMED PER MIL-C-5541C, CLASS 1A  
EXTERIOR: WHITE PAINT, COLOR NO. 17875 PER FED-STD-585

REVISIONS

REV	DESCRIPTION	DATE	APPROVED
D	SEE REVISION RECORD SHT	03-11-99	



-2 CONFIGURATION

UNLESS OTHERWISE SPECIFIED DIMENSIONS ARE IN INCHES TOLERANCES- SURFACE .XX ±.03 .XXX ±.004 .XXXX ±.0020 ✓ 6.3 ANGLES±	SIGNATURES	DATE	<b>VertexRSI™</b> A TriPoint Global Company Torrance, CA Facility, TORRANCE@TRIPINTEGLOBAL.COM 3111 Fujita St., Torrance, CA 90505, (310)539-6704
	DRAWN: L. TOVALIN	01-28-93	
MATERIAL AL CASTING	CHECKED: H. SPIELEDER	01-28-93	C-BAND 2-PORT, RX/TX, □ 1.570 (INSAT), TYPE N
FINISH	ENGR:		
	ENGR:		SIZE FSCM NO. DRAWING NG.
	MFR:		C 50478 110074
			SCALE: 1/2 SHEET 1