

110073 | SH 1

**SPECIFICATIONS**

**FREQUENCY BAND** RX: 3.625 - 4.200 GHz  
 TX: 5.850 - 6.425 GHz

**INSERTION LOSS** RX: 0.25 dB MAX  
 TX: 0.25 dB MAX

**VSWR** RX: 1.30:1 MAX  
 TX: 1.30:1 MAX

**ISOLATION** TX/RX: 70 dB MIN  
 RX/TX: 70 dB MIN  
 RX/RX: 35 dB MIN

**CROSSPOL** : 35 dB MIN

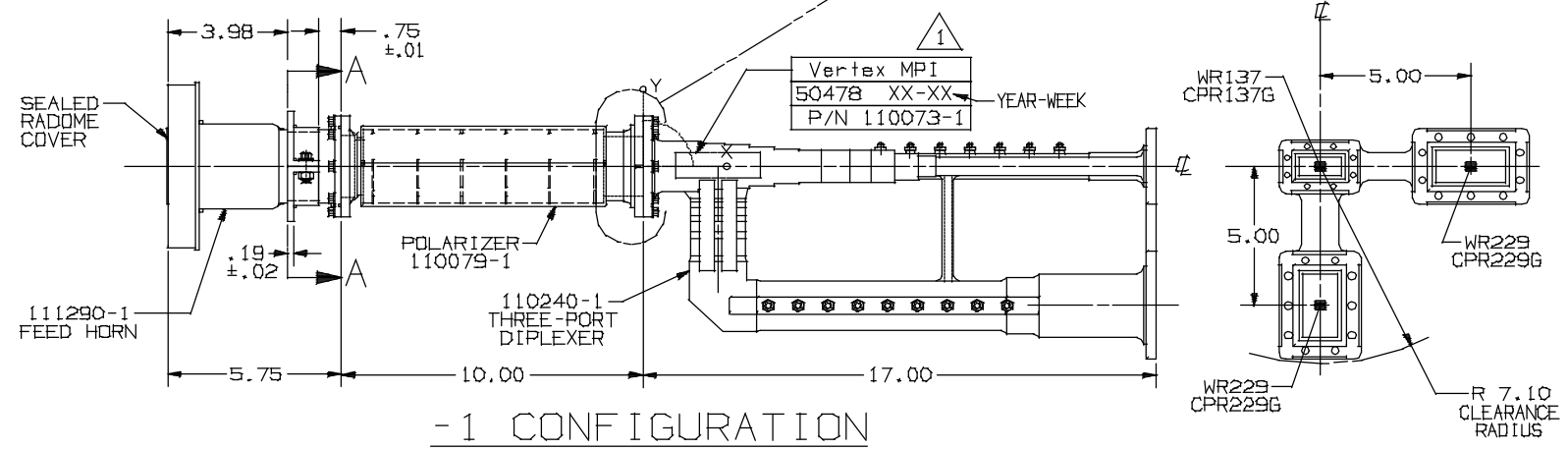
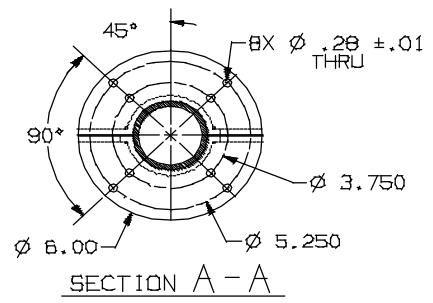
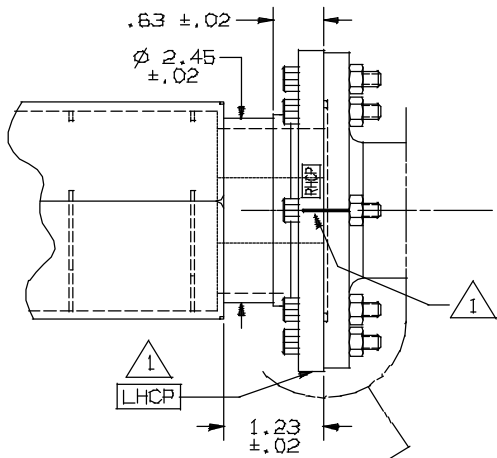
**AXIAL RATIO** : 1.30(2.3dB)

**POWER HANDLING** : 5 KW CW

**PRESSURIZATION** : SEALED TO 0.5 PSIG

**FINISH**  
 FLANGE FACES: CAD PLATED PER QQ-P-416,  
 TYPE II, CLASS 2  
 EXTERIOR: WHITE PAINT, COLOR NO 17875  
 PER FED-STD-595

| REVISIONS |                         |          |          |
|-----------|-------------------------|----------|----------|
| REV       | DESCRIPTION             | DATE     | APPROVED |
| E         | SEE REVISION RECORD SHT | 04-06-99 |          |



-1 CONFIGURATION

1 MARKING: RUBBER STAMPED USING BLACK WORNOW INK  
 NOTES: UNLESS OTHERWISE SPECIFIED,

|   |  |      |  |
|---|--|------|--|
| UNLESS OTHERWISE SPECIFIED<br>DIMENSIONS ARE IN INCHES<br>TOLERANCES:<br>SURFACE .XX ±.02<br>.XXX ±.005<br>.XXXX ±.<br>✓ ANGLES ± 0°15' | SIGNATURES   | DATE | <p><b>VertexRSI™</b><br/>                 A TriPoint Global Company<br/>                 Torrance, CA Facility, TORRANCE@TRIPPOINTGLOBAL.COM<br/>                 3111 Fujita St., Torrance, CA 90505. (310)539-6704</p> |
|   | DRAWN L. TOVALIN 01-28-93<br>CHECKED H. SPIELEDER 01-28-93<br>ENRUC<br>WBS |      |  |