

109952 | SH 1 |

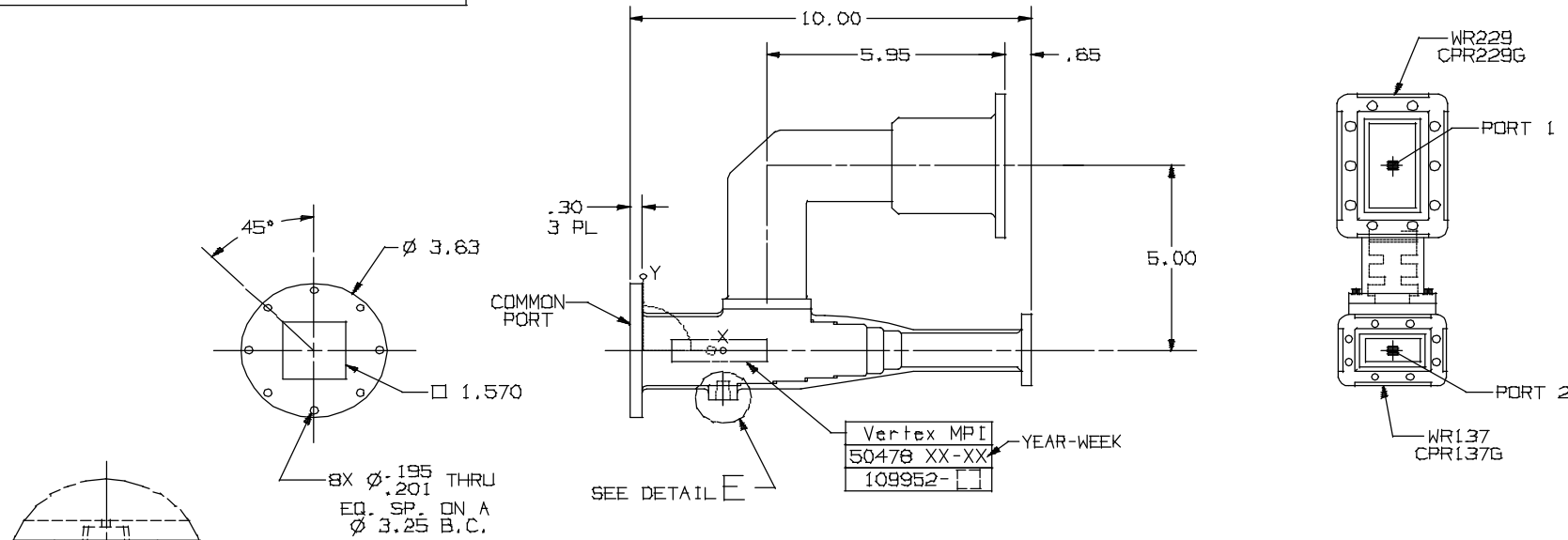
SPECIFICATIONS

FREQUENCY BAND RX: 4.500-4.800 GHz
 TX: 6.725-7.025 GHz
 INSERTION LOSS RX: 0.15 dB MAX
 TX: 0.15 dB MAX
 VSWR RX: 1.20:1 dB MAX
 TX: 1.20:1 dB MAX
 ISOLATION TX/RX: 70 dB MIN
 RX/TX: 35 dB MIN
 CROSSPOL : 35 dB MIN
 POWER HANDLING : 5 KW CW

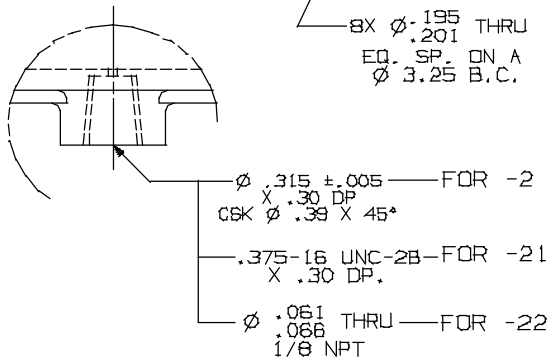
PRESSURIZATION : SEALED TO 2 PSIG
 FINISH: INTERIOR
 AND FLANGE FACES: CHEM FILMED PER MIL-C-5541C,
 CLASS 1A
 EXTERIOR: WHITE PAINT, COLOR
 NO. 17875 PER FED-STD-585

REVISIONS

REV	DESCRIPTION	DATE	APPROVED
H	SEE REVISION SHT	11-10-99	



-2 CONFIGURATION



DETAIL E

UNLESS OTHERWISE SPECIFIED		SIGNATURES		DATE	
DIMENSIONS ARE IN INCHES		DRAWN L TOVALIN		10-20-92	
TOLERANCES-		CHECKED H. SPIELEDER		10-20-92	
SURFACE		ENGR			
.XX ±.03		MFR			
.XXX ±.004					
.XXXX ±.0020					
✓ ANGLES±					
MATERIAL					
AL CASTING					
FINISH					
		SIZE FSCM NO.		DRAWING NO.	
		C 50478		109952	
		SCALE: 1/2		SHEET 1 of 2	

VertexRSI™
 A TriPoint Global Company
 Torrance, CA Facility, TORRANCE@TRIPPOINTGLOBAL.COM
 3111 Fujita St., Torrance, CA 90505, (310)539-6704

C-BAND 2-PORT
 RX/TX, X-POL