

107826 | SH 1 |

SPECIFICATIONS

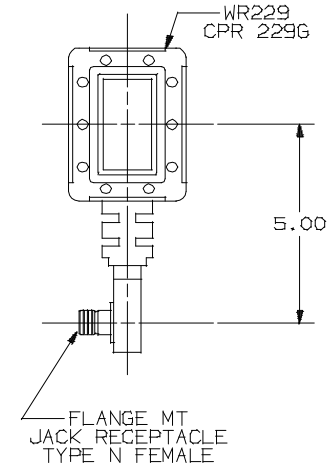
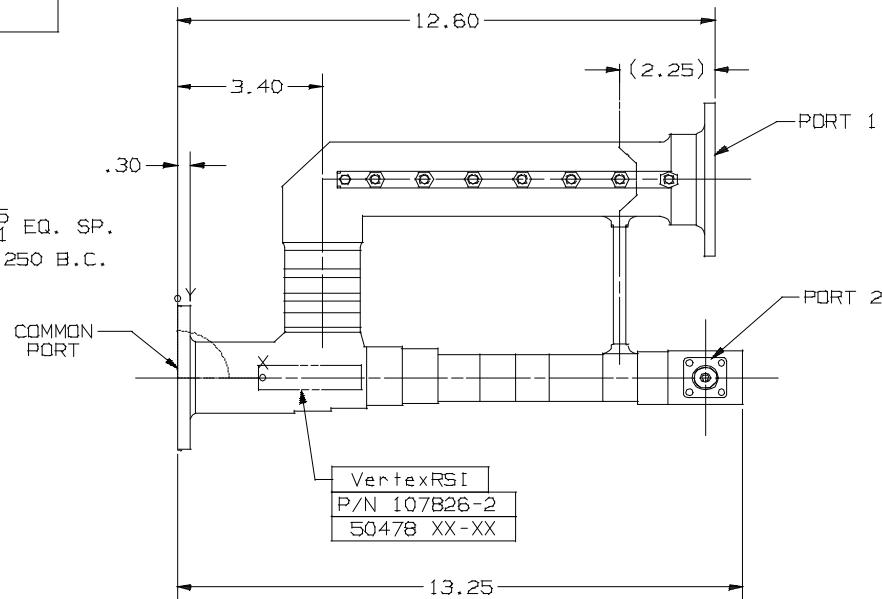
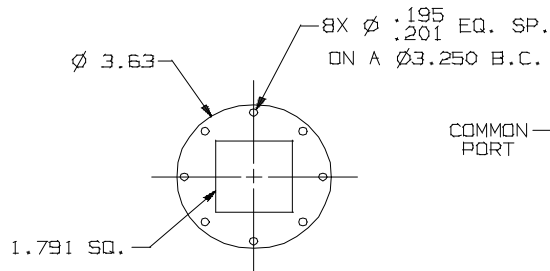
FREQUENCY BAND RX: 3.625-4.200 GHz
 TX: 5.850-6.425 GHz
 INSERTION LOSS RX: 0.15 dB MAX
 TX: 0.20 dB MAX
 VSWR RX: 1.20:1 dB MAX
 TX: 1.25:1 dB MAX
 ISOLATION TX/RX: 85 dB MIN
 RX/TX: 40 dB MIN
 CROSSPOL : 35 dB MIN
 POWER HANDLING : 500W CW

PRESSURIZATION: SEALED TO 2 PSIG WITH TYPE N CONNECTOR CAPPED OFF

FINISH:
 FLANGE FACES: CAD PLATED PER QQ-P-416, TYPE II, CLASS 2
 EXTERIOR: WHITE PAINT, COLOR NO. 17B75 PER FED-STD-585

REVISIONS

REV	DESCRIPTION	DATE	APPROVED
K	SEE REVISION RECORD SHEET	02-26-99	



-2 CONFIGURATION

UNLESS OTHERWISE SPECIFIED		SIGNATURES		DATE
DIMENSIONS ARE IN INCHES		DRAWN	A. MORRIS	06-07-89
TOLERANCES-		CHECKED	M. STUPNIK	06-07-89
SURFACE .XX ±.02		ENGR	H.S.R.	06-07-89
B3		WFS		
✓ ANGLES±				
MATERIAL				
COPPER				
FINISH				
SIZE	FSCM NO.	DRAWING NO.		
C	50478	107826		
SCALE:	1/2	SHEET 1 of 2		

VertexRSI™
 A TriPoint Global Company
 Torrance, CA Facility, TORRANCE@TRIPPOINTGLOBAL.COM
 3111 Fujita St., Torrance, CA 90505, (310)539-6704

C-BAND, 2-PORT Rx/Tx
 CO-POL, TYPE N