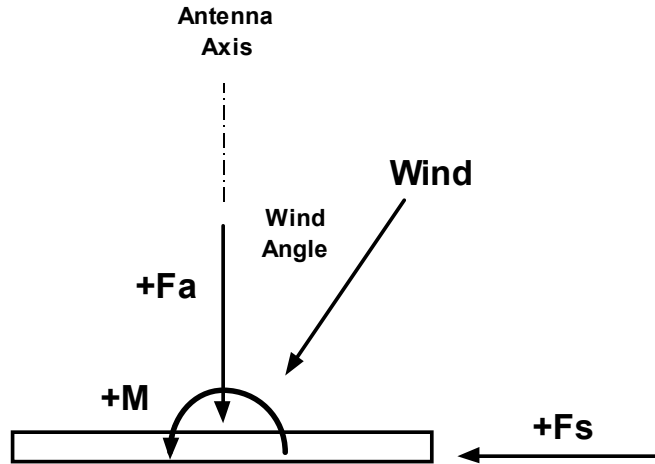


Directional Flat Panel Antennas

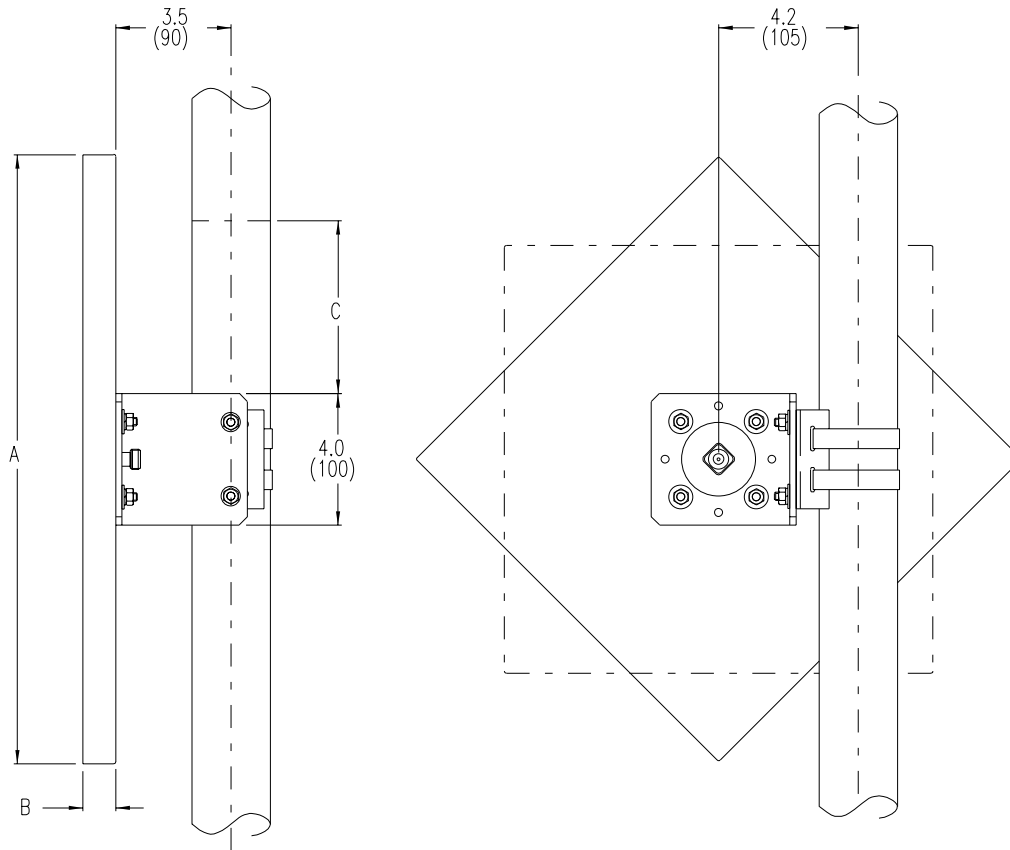
Approximate Wind Forces at 125 mph (200 kmh)



Antenna Size ft. (meter)	Wind Angle degrees	Axial Force Fa		Side Force Fs		Twisting Moment M	
		lb	(N)	lb	(N)	ft-lb	(N-m)
0.5 (0.15)	0	16	(71)	0	(0)	0	(0)
	60	14	(62)	8	(36)	-1	(-1)
	120	-14	(-62)	8	(36)	1	(1)
	180	-16	(-71)	0	(0)	0	(0)
1 (0.3)	0	56	(250)	0	(0)	0	(0)
	60	49	(220)	21	(90)	-5	(-7)
	120	-49	(-220)	21	(90)	5	(7)
	180	-56	(-250)	0	(0)	0	(0)
2 (0.6)	0	203	(900)	0	(0)	0	(0)
	60	176	(780)	32	(140)	-33	(-45)
	120	-176	(-780)	32	(140)	33	(45)
	180	-203	(-900)	0	(0)	0	(0)

Notes:

- 1 Values are suitable for square or diagonal configuration models.
- 2 Bold values indicate maximum.

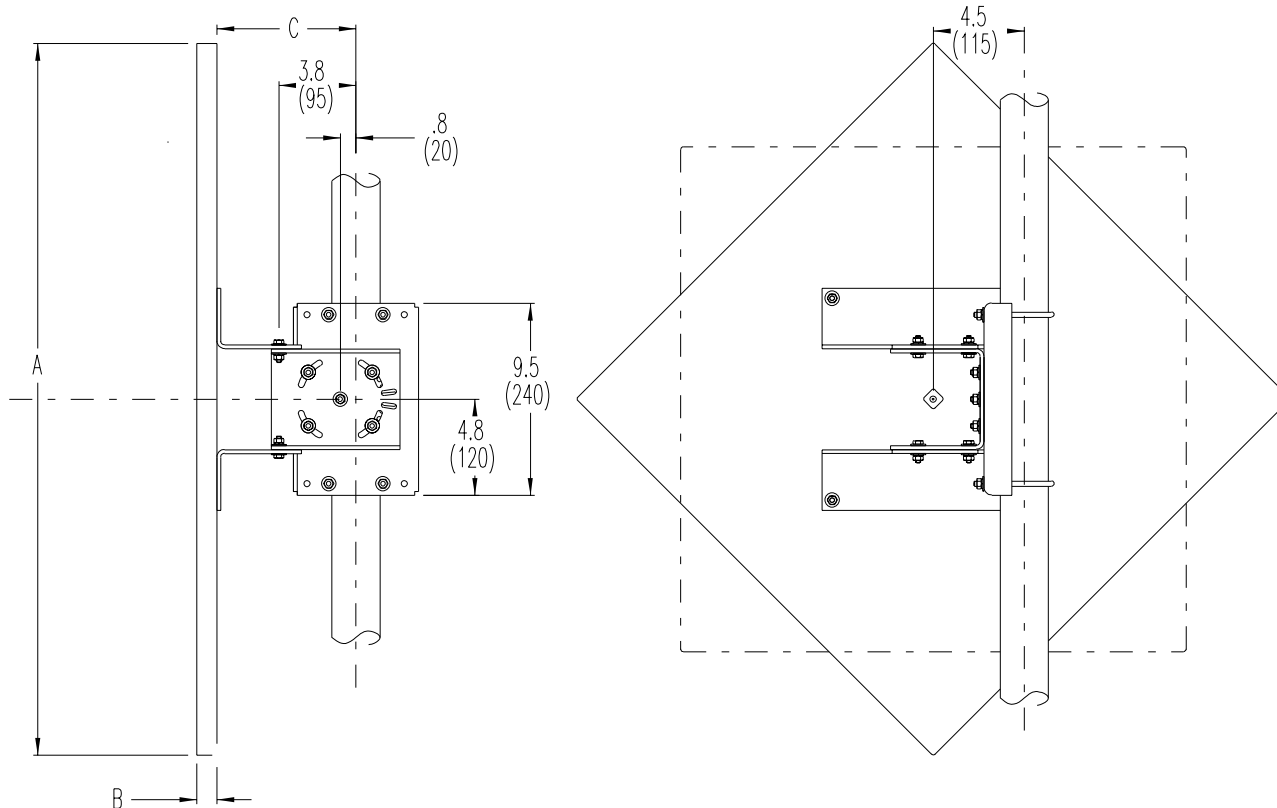


Mini-Mount

Antenna Size		.5 ft. in.	(0.15 m) (mm)	1 ft. in.	(0.3 m) (mm)
A	Antenna Height & Width Diagonal Orientation	10	(255)	18.7	(475)
A	Antenna Height & Width Square Orientation	7.1	(180)	13.2	(335)
B	Panel Thickness, 2.3-2.5 GHz	1.8	(45)	1.8	(45)
B	Panel Thickness, 5.2-5.8 GHz	1.1	(28)	1.1	(28)
C	Mast Length	-		2.5 ⁽²⁾	(65)
	Mast Diameters	1.9-4.5	(50-115)	1.9-4.5	(50-115)
	Azimuth Adjustment Range	360°		360°	
	Elevation Adjustment	±20°		±20° ⁽²⁾	
Shipping Information		2.300 - 2.500	5.250 - 5.850	2.300 - 2.500	5.250 - 5.850
	Net Weight	1.9 lbs. (0.9 kg)	1.8 lbs. (0.8 kg)	7 lbs. (3.2 kg)	6 lbs. (2.7 kg)
	Gross Weight	3.6 lbs. (1.63 kg)	3 lbs. (1.7 kg)	12 lbs. (5.5 kg)	11 lbs. (5.0 kg)
	Shipping Dimensions inches	12 x 7 x 10	12 x 7 x 10	18 x 11 x 18	18 x 11 x 18
	(millimeters)	(305 x 178 x 254)	(305 x 178 x 254)	(458 x 280 x 458)	(458 x 280 x 458)

- (1) Mount can be configured with left or right offset.
 (2) To obtain ±20° elevation, with mast diameters > 2.4" (60 mm), the mast must not extend beyond 2.5" (65 mm).

Note: This figure is for dimensional information only. Details of the various antennas may differ from those shown.


The Quick Align Mount is Patent Pending

Quick Align Mount (QAM)

Antenna Size		1 ft. ⁽¹⁾ in.	(0.3 m) (mm)	2 ft. in.	(0.6 m) (mm)
A	Antenna Height & Width Diagonal Orientation	18.7	(475)	35.3	(895)
A	Antenna Height & Width Square Orientation	13.2	(335)	25.1	(640)
B	Panel Thickness, 2.3-2.5 GHz	1.8	(46)	1.8	(46)
B	Panel Thickness, 5.2-5.8 GHz	1.1	(28)	1.1	(28)
C	Rear of Antenna	5.1	(130)	6.8	(175)
	Mast Diameter ⁽³⁾	2.375	(60)	2.375	(60)
	Elevation Range	±20°		±20°	
	Fine Azimuth Range	±10°		±10°	
Shipping Information		2.300 - 2.500	5.250 - 5.850	2.300 - 2.500	5.250 - 5.850
	Net Weight	10 lbs. (4.5 kg)	9 lbs. (4.1 kg)	22 lbs. (10 kg)	21 lbs. (9.5 kg)
	Gross Weight	15 lbs. (6.8 kg)	14 lbs. (6.4 kg)	32.6 lbs. (15 kg)	31.6 lbs. (14.4 kg)
	Shipping Dimensions inches	18 x 11 x 18	18 x 11 x 18	30 x 12 x 30	30 x 12 x 30
	(millimeters)	(458 x 280 x 458)	(458 x 280 x 458)	(762 x 305 x 762)	(762 x 305 x 762)

- (1) Quick Align Mounts are optional on DFP1 models and are denoted by an (M1) model # suffix.
- (2) Mount can be configured with left or right offset.
- (3) Order optional Clamp Kit MCKQA-19-45 for 1.9 in. - 4.5 in. (50 - 115 mm) mast diameters

Note: This figure is for dimensional information only. Details of the various antennas may differ from those shown.